

## Excellent Integrated System Limited

Stocking Distributor

Click to view price, real time Inventory, Delivery & Lifecycle Information:

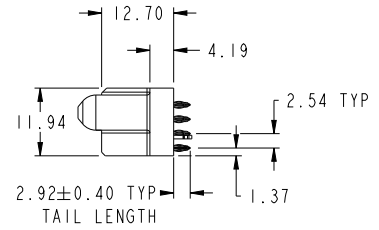
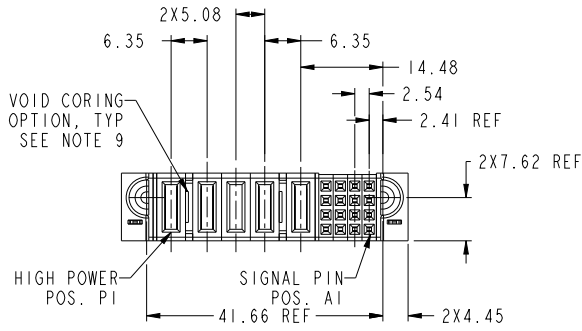
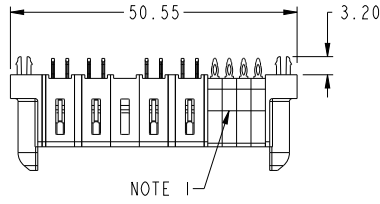
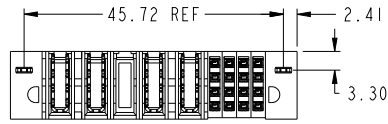
[FCI](#)

[10106269-5004001LF](#)

For any questions, you can email us directly:

[sales@integrated-circuit.com](mailto:sales@integrated-circuit.com)

PRODUCT NUMBER SEE SHEET 2



spec ref	dr	Eddy Zeng	20140916	projection	MM	size	A3	scale	3:2
tolerance std	eng	Eddy Zeng	20140905			ecn no	-	rel level	Released
ASME Y14.5	chr	Li-Ho	20140903						
TOLERANCES UNLESS OTHERWISE SPECIFIED		appr	Pai-Ming Zhang	www.fci.com		cat. no.	10106269-5004001		rev
surface	<input checked="" type="checkbox"/> linear <input type="checkbox"/> angular	0.X	±0.50		title 16S + 4HP VT STB RECEPTACLE	Product - Customer Drw	sheet 1 of 3	rev A	
		0.XX	±0.25						
		0.XXX	±0.10						
ASME Y14.5	angular	0°	±2°	cat. no.	Product - Customer Drw	sheet 1 of 3			

Prod File - REC C - 2009-04-09

1

2

3

PDS: Rev A

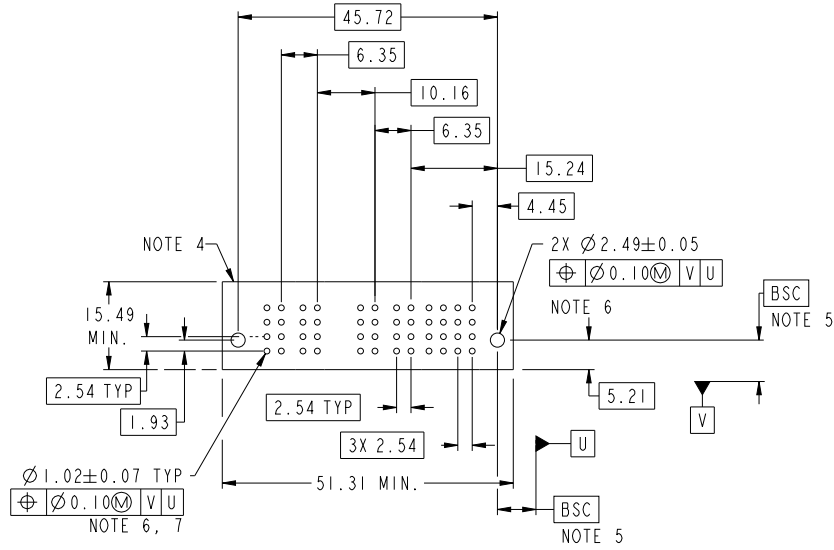
STATUS: Released

Printed: Jun 06, 2014

Copyright FCI.

PRODUCT NO.	ROWS	HIGH POWER					SIGNAL					
		E1	P5	P4	P3	P2	P1	4	3	2	1	E2
10106269-5004001LF	D C B A	HE	HE	X	HE	HE	F	F	F	F	F	F

CODE	DESCRIPTION
F	STD SIGNAL CONTACT
HA	METAL HOLD DOWN
HE	STD HIGH POWER CONTACT (2.92)
X	OMITTED



dr	Eddy Zeng	20140916	projection	MM	size	A3	scale	3:2
eng	Eddy Zeng	20140905			ecn no.			
chr	Li-Hu	20140903			rel level			
appr	Pai-Ming Zhang	20140905	product family	PowerBlade+				Released
		title 16S + 4HP VT STB RECEPTACLE		eng no 10106269-5004001		rev A		
www.fci.com		cat. no.		Product - Customer Drw		sheet 2 of 3		

NOTES:

- 1) "FCI", PART NUMBER AND DATE CODE TO BE MARKED ON THIS SURFACE.  
THE MARK CAN BE OMITTED IF THERE IS NOT ENOUGH SPACE ON THIS SURFACE.
- 2) MATERIALS:  
-HOUSING - GLASS FILLED WITH HIGH TEMP THERMOPLASTIC, UL94V-0.  
-SIGNAL CONTACT - COPPER ALLOY.  
-POWER CONTACT - HIGH CONDUCTIVITY COPPER ALLOY.
- 3) PLATING SPECIFICATION REFER TO FCI 10116351
- 4) DENOTES CONNECTOR KEEP OUT ZONE.
- 5) DATUM AND BASIC DIMENSIONS WERE ESTABLISHED BY CUSTOMER.
- 6) ALL HOLE DIAMETERS ARE FINISHED HOLE SIZES.
- 7)  $1.15 \pm 0.025$ MM DRILLED HOLE PLATED WITH 0.00762MM MIN Sn  
OVER 0.0254-0.0762MM Cu PLATING TO ACHIEVE A  $1.02 \pm 0.07$ MM HOLE.
- 8) PRODUCT SPECIFICATION REFER TO FCI GS-12-658.  
APPLICATION SPECIFICATION REFER TO FCI GS-20-141.  
PRODUCT PACKAGED IN TRAYS, REFER TO FCI GS-14-1502.
- 9) THE VOID CORING IN BETWEEN POWER MODULES, SIGNAL  
MODULES AND END MODULES ARE OPTIONAL AND THE SHAPE  
MAY BE DIFFERENT FOR OPTIMIZE THE MOLDING PROCESS. THE  
VOID CORING WILL NOT EFFECT TO PRODUCT FUNCTION.

dr	Eddy Zeng	201409076	projection	MM	size	A3	scale	1:1
eng	Eddy Zeng	201409095			ecn no			
chr	Li-Hu	201409093			rel level	Released		
appr	Pai-Ming Zhang	201409095	product family	PowerBlade+				
		<b>title</b> 16S + 4HP VT STB RECEPTACLE	<b>eng no</b> 10106269-5004001	<b>rev</b> A				
www.fci.com		cat. no.	Product - Customer Drw		sheet 3 of 3			



Copyright FCI.