

## Excellent Integrated System Limited

Stocking Distributor

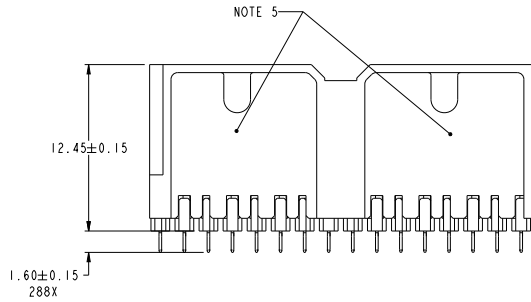
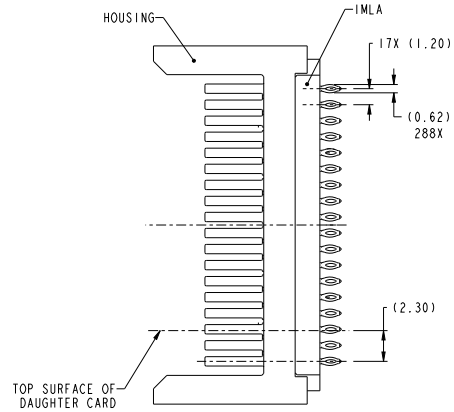
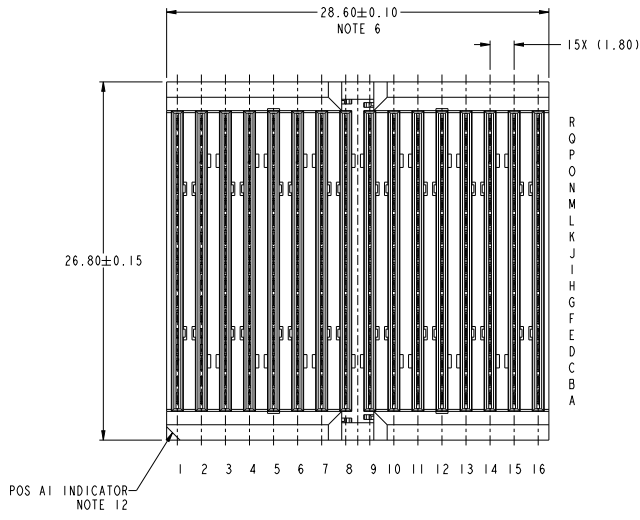
Click to view price, real time Inventory, Delivery & Lifecycle Information:

[FCI](#)  
[10106826-105LF](#)

For any questions, you can email us directly:  
[sales@integrated-circuit.com](mailto:sales@integrated-circuit.com)

Product number

SEE TABLE, SHT 3



spec. ref.	dr.	projection	MM	size	A2	scale	5:1
tolerance std	eng	drawing	MM	acc no			
ASME Y14.5	chr	revision		product family	ZipLine	rel level	Released
TOLERANCES UNLESS OTHERWISE SPECIFIED		appr	drawing	part no	10106826	rev	A
surface	linear	0.X	±	FCI ZipLine VERT HEADER ASSY			
		0.XX	±	6 PR, 16 IMLA, 1.8mm PITCH, 28.8mm, PWI			
ASME Y14.5	angular	0.XX	±	www.fci.com cat. no. Product - Customer Draw sheet 1 of 3			

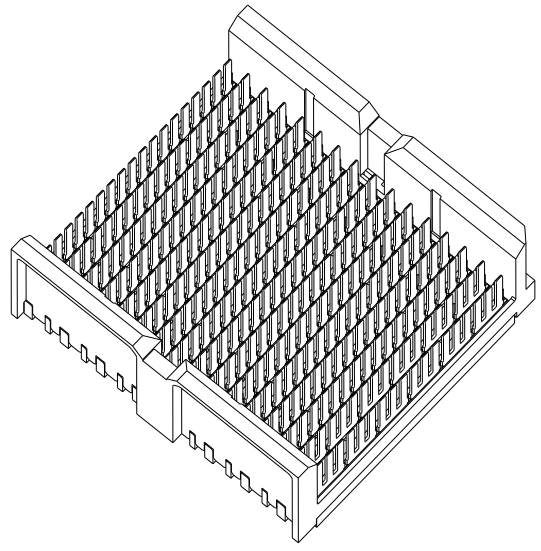
PDS: Rev: A

STATUS: Released

Printed: Nov 24, 2011



PRODUCT NUMBER	PRESS-FIT TAIL PLATING TYPE	POWER (P) OR SIGNAL (S) BY COLUMN NUMBER (SEE NOTE 14)															
		1	2	3	4	5	6	7	8	9	10	11	12	13	14	15	16
10106826-103	TIN LEAD ALLOY OVER NICKEL	P	P	S	S	S	S	S	S	S	S	S	S	S	S	S	S
10106826-103LF	TIN OVER NICKEL (LEAD FREE)	P	P	S	S	S	S	S	S	S	S	S	S	S	S	S	S
10106826-105	TIN LEAD ALLOY OVER NICKEL	P	S	S	S	S	S	S	S	S	S	S	S	S	S	S	P
10106826-105LF	TIN OVER NICKEL (LEAD FREE)	P	S	S	S	S	S	S	S	S	S	S	S	S	S	S	P



10106826-101

NOTES:

- CONNECTOR MATERIALS:  
HOUSING: HIGH TEMP THERMOPLASTIC, BLACK, UL94V-0  
IMLA PLASTIC: HIGH TEMP THERMOPLASTIC, BLACK, UL94V-0  
CONTACT: COPPER ALLOY
- CONTACT PLATING:  
SEPARABLE INTERFACE: PERFORMANCE-BASED PLATING, QUALIFIED TO MEET THE REQUIREMENTS OF FCI PRODUCT SPECIFICATION GS-12-452 INCLUDING TELCORDIA GR-1217-CORE (NOVEMBER 1995) CENTRAL OFFICE TEST SEQUENCE PRESS-FIT TAILS: SEE TABLE
- PRODUCT SPECIFICATION: GS-12-452.
- APPLICATION SPECIFICATION: GS-20-094.
- PRODUCT MARKING, (PART NUMBER & LOT CODE), ON THESE SURFACES.
- THE MINIMUM CENTERLINE SPACING BETWEEN ADJACENT MODULES IS 28.8mm.
- THERE IS NO GROUND BUSSING WITHIN THE HEADER CONNECTOR. HOWEVER, POSITIONS R1, R3, R5, R7, R9, R11, R13 & R15 OF THE MATING RECEPTACLE ARE BUSSED. THESE MUST BE ASSIGNED AS GROUNDS.
- REFER TO CUSTOMER DRAWING 10045979 FOR INFORMATION ON PCB HOLE DIAMETERS AND PLATING OPTIONS.
- THIS PRODUCT MEETS EUROPEAN UNION DIRECTIVES AND OTHER COUNTRY REGULATIONS AS DESCRIBED IN GS-22-008.
- THE HOUSING WILL WITHSTAND EXPOSURE TO 260°C PEAK TEMPERATURE FOR 40 SECONDS IN A CONVECTION, INFRA-RED OR VAPOR PHASE REFLOW OVEN.
- PACKAGING MEETS GS-14-920 LEAD FREE LABELING SPECIFICATION.
- CONNECTOR OUTLINE WITH HOUSING POS A1 INDICATOR MAY BE SCREEN PRINTED ONTO CUSTOMER PCB TO BE USED AS A GUIDE FOR MANUAL CONNECTOR PLACEMENT.
- WITHIN ANY POWER COLUMN, EACH 3 OF THE 18 CONTACT POSITIONS ARE COMMONED TO FORM 6 POWER CONTACTS. PCB LAYOUT SHOWS ONE CONFIGURATION OF COMMONED VIAS MAKING UP THE 12 INDIVIDUAL POWER POSITIONS. ADDITIONAL CUSTOMER-DEFINED PCB LAYOUTS WILL ALLOW ANYWHERE FROM ONE TO SIX POWER LINES WITHIN A COLUMN.
- PRODUCT CAN BE CONFIGURED WITH POWER IN ANY COLUMN OR MULTIPLE COLUMNS.
- PLASTIC FOR POWER COLUMNS IS WHITE. PLASTIC FOR SIGNAL COLUMNS IS BLACK. SEE PART NUMBER TABLE FOR APPLICABLE POWER (P) AND SIGNAL (S) COLUMN LOADING POSITIONS.

Copyright FCI.

spec. ref.	dr.	proj.	size	scale
tolerance s14	www.fcicom	projection	MM	A2
ASME Y14.5	www.fcicom	MM	MM	5:1
TOLERANCES UNLESS OTHERWISE SPECIFIED		product family	ZipLine	rel. level
surface	linear	0.1	±	Released
	angular	0.2X	±	
		0.2X	±	
ASME Y14.5	www.fcicom	0.2X	±	
FCI Zipline VERT HEADER ASSY		6 PR, 16 IMLA, 1.8mm PITCH, 28.8mm, PW	10106826	rev
www.fcicom cat. no.		Product - Customer Draw	sheet 3 of 3	A