

Excellent Integrated System Limited

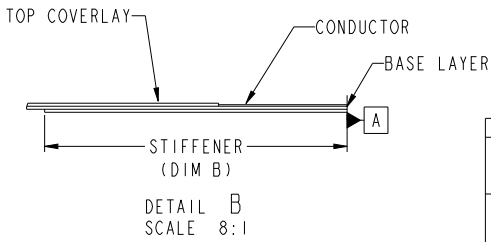
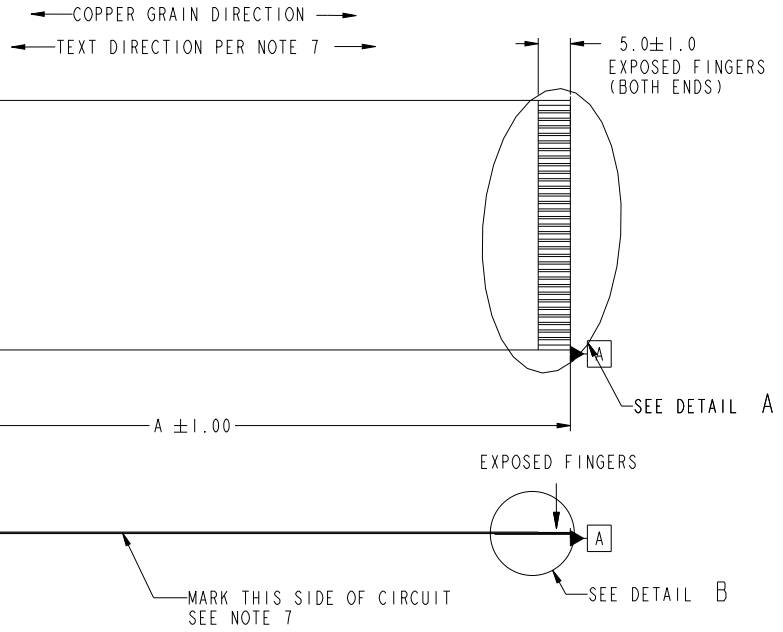
Stocking Distributor

Click to view price, real time Inventory, Delivery & Lifecycle Information:

[FCI](#)
[10116105-005LF](#)

For any questions, you can email us directly:
sales@integrated-circuit.com

PRODUCT NUMBER	DIM-A	DIM-B (2 PLACES)	CUSTOMER PART NUMBER (SEE NOTE 7)
10116105-001LF	100.0	10.0	RPM 119 1694/100 RIA
10116105-002LF	90.0	15.0	RPM 119 1695/90 RIA
10116105-003LF	150.0	15.0	RPM 119 1695/150 RIA
10116105-004LF	60.0	15.0	RPM 119 1695/60 RIA
10116105-005LF	75.0	15.0	RPM 119 1695/75 RIA
10116105-006LF	100.0	15.0	RPM 119 1695/100 RIA
10116105-007LF	65.0	10.0	RPM 119 1694/65 RIA
10116105-008LF	70.0	10.0	RPM 119 1694/70 RIA



spec ref	-	dr	Steve Prassel	20121007	projection	MM	size	A3	scale	2:1								
tolerance std	ASME Y14.5	eng	Yong Huang	20121009			ecn no	-	rel level	Released								
TOLERANCES UNLESS OTHERWISE SPECIFIED		chr	-	product family							-							
surface	ASME Y14.5	appr	Rick Blum	20121012			FLEX CIRCUIT 32 POSITIONS		eng no 10116105	rev C								
<table border="1"> <tr> <td>linear</td> <td>0.X</td> <td>±0.5</td> </tr> <tr> <td></td> <td>0.XX</td> <td>±0.30</td> </tr> <tr> <td></td> <td>0.XXX</td> <td>±</td> </tr> <tr> <td>angular</td> <td>0°</td> <td>±°</td> </tr> </table>		linear	0.X	±0.5		0.XX	±0.30		0.XXX	±	angular	0°	±°	www.fci.com		cat. no.	Product - Customer Draw	sheet 1 of 2
linear	0.X	±0.5																
	0.XX	±0.30																
	0.XXX	±																
angular	0°	±°																

Print File - REV C - 2012-04-20

1

2

3

PDS: Rev C

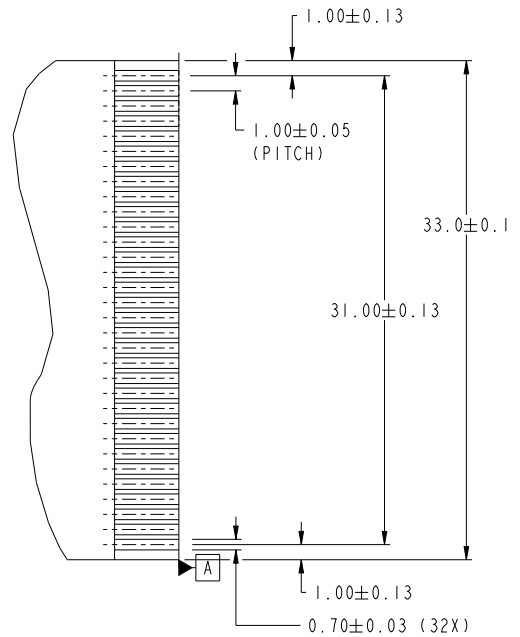
STATUS: Released

Printed: Oct 12, 2012

PRODUCT NUMBER	DIM-A	DIM-B (2 PLACES)	CUSTOMER PART NUMBER (SEE NOTE 7)
10116105-001LF	100.0	10.0	RPM 119 1694/100 RIA
10116105-002LF	90.0	15.0	RPM 119 1695/90 RIA
10116105-003LF	150.0	15.0	RPM 119 1695/150 RIA
10116105-004LF	60.0	15.0	RPM 119 1695/60 RIA
10116105-005LF	75.0	15.0	RPM 119 1695/75 RIA
10116105-006LF	100.0	15.0	RPM 119 1695/100 RIA
10116105-007LF	65.0	10.0	RPM 119 1694/65 RIA
10116105-008LF	70.0	10.0	RPM 119 1694/70 RIA

NOTES:

- SURFACE FINISH: PURE TIN LEAD FREE 1µm MIN.
- MATERIAL STACK-UP:
 - 1 MIL FLAME RESISTANT POLYESTER (TOP COVERLAY)
 - ADHESIVE THICKNESS AS NEEDED
 - FFC COPPER FOIL
 - 1 MIL ADHESIVE
 - 2 MIL FLAME RESISTANT POLYESTER (BASE)
 - 2 MIL PSA
 - POLYESTER (STIFFENER)
- THICKNESS AT ZIFF ENDS TO BE 0.30±0.05
- BUILD TO IPC 6013 CLASS 2
- CABLE RATING VWI-100V
- THIS PART TO BE RoHS COMPLIANT
- THE FOLLOWING ITEMS ARE TO BE MARKED AS NOTED:
 - RPM 119 169*/*** RIA (USE TABULATED CHART FOR SELECTING CUSTOMER P/N)
 - Flex Circuit
 - DATE CODE (YYYY-MM-DD), FACTORY CODE, BATCH NUMBER
- BATCH CODE LISTED IN NOTE # 7 IS FOR TRACEABILITY AND CHANGES PER MANUFACTURING RUNS
- TECHNICAL DATA (AMBIENT TEMPERATURE IS 25°C UNLESS OTHERWISE NOTED)
 - CONDUCTOR RESISTANCE: 630 Ω/km
 - INSULATION RESISTANCE: 100MΩ (DC500V, 60 sec)
 - RATED VOLTAGE: 300V
 - TEST VOLTAGE: 500V
 - RATED CURRENT: 1.5A MAXIMUM PER CONDUCTOR
 - IMPEDANCE: 80Ω (GROUND-SIGNAL-GROUND)
 - INDUCTANCE: 0.36µH/m
 - OPERATING TEMPERATURE RANGE: -40°C to 105°C
- ESD (ANTI-STATIC) PACKAGING REQUIRED



DETAIL A
SCALE 4:1

spec ref	-	dr	Steve Prael	20121007	projection	MM	size	A3	scale	2:1
tolerance std	ASME Y14.5	eng	Yong Huang	20121009	chr	-	ecn no	-	rel level	Released
TOLERANCES UNLESS OTHERWISE SPECIFIED		appr	Rick Blum	20121012	product family	-	cat. no.	-	Product - Customer Drw	sheet 2 of 2
surface	linear	0.X	±0.5		TITLE FLEX CIRCUIT 32 POSITIONS	cat. no.	Product - Customer Drw	sheet 2 of 2	rev C	
	0.XX	±0.30								
	0.XXX	±								
	angular	0°	±°							