

Excellent Integrated System Limited

Stocking Distributor

Click to view price, real time Inventory, Delivery & Lifecycle Information:

[Panasonic Electronic Components](#)
[WM-64MNT](#)

For any questions, you can email us directly:

sales@integrated-circuit.com

Omnidirectional Back Electret Condenser Microphone Cartridge

WM-64MN

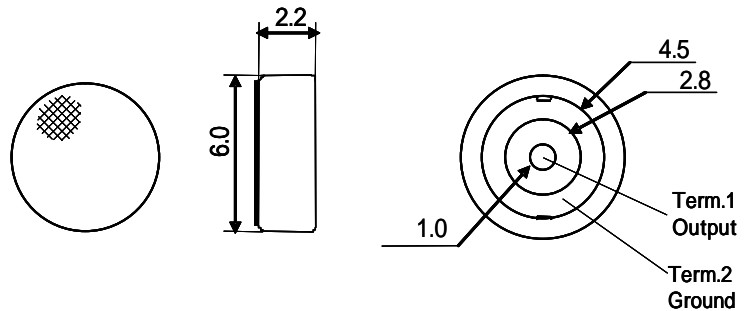
Non-soldering connection
 Provides gold plated contact area
 Back electret type designed for high resistance to vibrations
 RFI protected for Dual band
 10pF, 33pF capacitor inside

Appearance

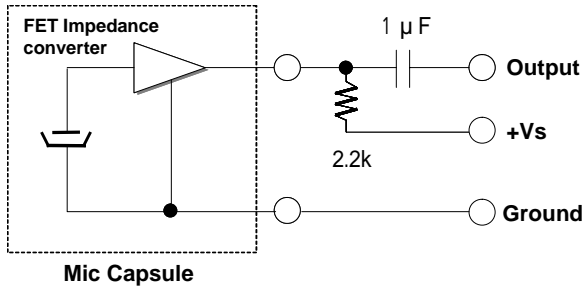


Dimensional Drawing

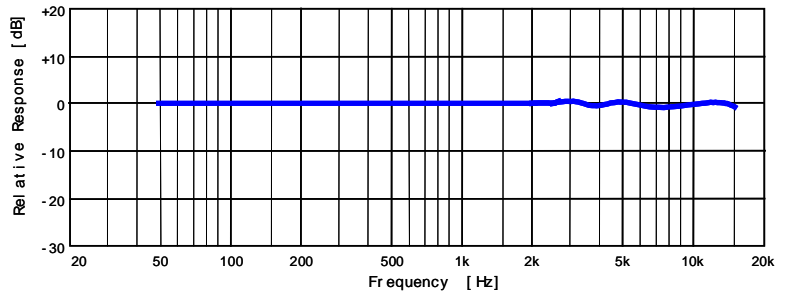
Unit : mm



Schematic Diagram



Typical Frequency Response Curve



Sensitivity

(0dB=1V/Pa, 1kHz)

Sensitivity

-45+/- 4dB
 -44+/- 3dB
 -42+/- 3dB

Model No.

WM-64MN
 WM-64MNT
 WM-64MNY

$V_s=2.0V$
 $R_L=2.2k$

Specifications

Dimensions	6 x 2.2 mm
Impedance	Less than 2.2k
Frequency	Omnidirectional
Max operation voltage	20-16,000Hz
Standard operation voltage	10V
Current consumption	2V
Sensitivity reduction	Max 0.5mA
S/N ratio	Within -3dB at 1.5V
	More than 58dB