

## **Excellent Integrated System Limited**

Stocking Distributor

Click to view price, real time Inventory, Delivery & Lifecycle Information:

[Central Semiconductor Corp](#)  
[CPD69-CMR1-06M-CT20](#)

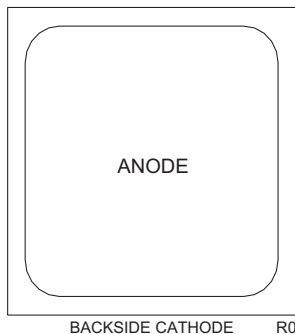
For any questions, you can email us directly:

[sales@integrated-circuit.com](mailto:sales@integrated-circuit.com)



## CPD69-CMR1-06M General Purpose Rectifier Die 1.0 Amp, 600 Volt

The CPD69-CMR1-06M is a silicon 1.0 Amp, 600 Volt general purpose rectifier ideal for all types of commercial, industrial, entertainment, and computer applications.



**MECHANICAL SPECIFICATIONS:**

Die Size	41.0 x 41.0 MILS
Die Thickness	11.0 MILS
Anode Bonding Pad Size	24 x 24 MILS
Top Side Metalization	Ni/Au – 4,500Å/1,000Å
Back Side Metalization	Ni/Au – 5,000Å/1,000Å
Scribe Alley Width	3.5 MILS
Wafer Diameter	4 INCHES
Gross Die Per Wafer	5,915

**MAXIMUM RATINGS:** (T<sub>A</sub>=25°C)

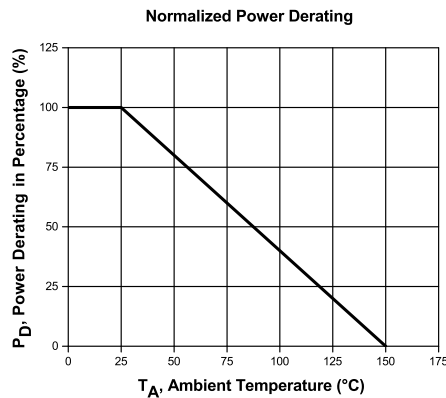
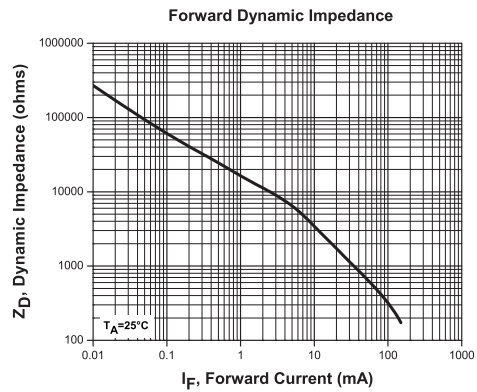
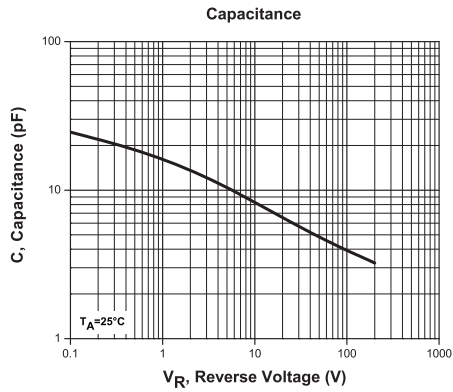
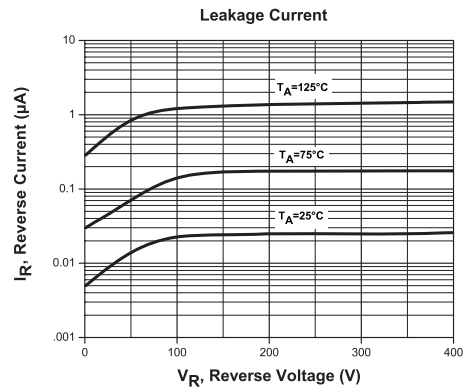
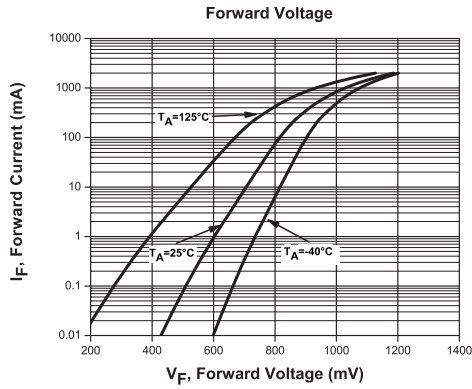
	SYMBOL		UNITS
Peak Repetitive Reverse Voltage	V <sub>R</sub> RRM	600	V
DC Blocking Voltage	V <sub>R</sub>	600	V
RMS Reverse Voltage	V <sub>R</sub> (RMS)	420	V
Average Forward Current	I <sub>O</sub>	1.0	A
Peak Forward Surge Current, tp=8.3ms	I <sub>F</sub> SM	30	A
Operating and Storage Junction Temperature	T <sub>J</sub> , T <sub>stg</sub>	-65 to +150	°C

**ELECTRICAL CHARACTERISTICS:** (T<sub>A</sub>=25°C unless otherwise)

SYMBOL	TEST CONDITIONS	MIN	MAX	UNITS
I <sub>R</sub>	V <sub>R</sub> =600V		5.0	µA
V <sub>F</sub>	I <sub>F</sub> =1.0A		1.1	V

# CPD69-CMR1-06M

## Typical Electrical Characteristics



## OUTSTANDING SUPPORT AND SUPERIOR SERVICES



---

### PRODUCT SUPPORT

Central's operations team provides the highest level of support to insure product is delivered on-time.

- Supply management (Customer portals)
- Inventory bonding
- Consolidated shipping options
- Custom bar coding for shipments
- Custom product packing

---

### DESIGNER SUPPORT/SERVICES

Central's applications engineering team is ready to discuss your design challenges. Just ask.

- Free quick ship samples (2<sup>nd</sup> day air)
- Online technical data and parametric search
- SPICE models
- Custom electrical curves
- Environmental regulation compliance
- Customer specific screening
- Up-screening capabilities
- Special wafer diffusions
- PbSn plating options
- Package details
- Application notes
- Application and design sample kits
- Custom product and package development

---

### CONTACT US

#### Corporate Headquarters & Customer Support Team

Central Semiconductor Corp.  
145 Adams Avenue  
Hauppauge, NY 11788 USA  
Main Tel: (631) 435-1110  
Main Fax: (631) 435-1824  
Support Team Fax: (631) 435-3388  
[www.centrasemi.com](http://www.centrasemi.com)

**Worldwide Field Representatives:**  
[www.centrasemi.com/wwreps](http://www.centrasemi.com/wwreps)

**Worldwide Distributors:**  
[www.centrasemi.com/wwdistributors](http://www.centrasemi.com/wwdistributors)

---

For the latest version of Central Semiconductor's **LIMITATIONS AND DAMAGES DISCLAIMER**, which is part of Central's Standard Terms and Conditions of sale, visit: [www.centrasemi.com/terms](http://www.centrasemi.com/terms)