

Excellent Integrated System Limited

Stocking Distributor

Click to view price, real time Inventory, Delivery & Lifecycle Information:

[CTS Electronic Components](#)

[CER0669A](#)

For any questions, you can email us directly:

sales@integrated-circuit.com

CER0669A

1800 MHz DCS Duplexer

Revision B - Origin Date: November 14, 2008 – Revision Date: July 11, 2011

Features

- Low loss
- Flat Low Ripple
- High Rejection

Description

Surface mount, silver (Ag) coated ceramic duplexer. Developed for use in DCS infrastructure applications.

Weight: 3.0 grams typical

Material: Filter is composed of a ceramic block plated with Ag and a shield made of nickel silver plated steel.

Filter complies with RoHS standards.



Electrical Specifications

Parameter	Frequency MHz	Typical @ 25°C	Specification @ 25°C	Spec over -40°C to +85°C
Low Band Response (S21)				
Passband Iloss	1710 - 1755	-1.60	-2.00	-2.20
Passband Ripple	1710 - 1755	1.00	1.40	1.50
Passband Return Loss @ Port 1	1710 - 1755	-15.0	-13.5	-13.5
Passband Return Loss @ Port 2	1710 - 1755	-15.0	-13.5	-13.5
	1680 - 1690	0.5	0.0	0
	1805 - 1850	-54.0	-51.0	-50.0
	3420 - 3510	-6.0	-5.0	-5.0
Low Band Response (S21)				
Passband Iloss	1805 - 1850	-1.90	-2.10	-2.30
Passband Ripple	1805 - 1850	1.00	1.40	1.50
Passband Return Loss @ Port 1	1805 - 1850	-15.00	-13.50	-13.50
Passband Return Loss @ Port 2	1805 - 1850	-15.00	-13.50	-13.50
Attenuation	1710 - 1755	-54.00	-51.00	-50.00
	1870 1880	2.5	-1	-1
	3610 - 3700	-15.00	-13.00	-13.00
Isolation (S23)				
Rejection @ Low Band	1710 - 1755	-55.0	-51.0	-50.0
Rejection @ Low Band	1755 - 1805	-42.0	-40.0	-40.0
Rejection @ Low Band	1805 - 1850	-58.0	-50.0	-50.0
Power Into any Port		5 W Max		

Note: Supplier shall test each filter to the critical electrical specifications of the above table. Any subsequent audits may deviate from in value due to measurement repeatability among different test systems. Such deviations shall not exceed the following limits:

Specification Allowance	
Insertion Loss	0.1 dB
Return Loss	1.0 dB
Stopbands	1.0 dB

*This product is covered by one or more of the following U.S. and foreign patents including: US 4,692,726;US 4,742,562; US 4,800,348;US 4,829,274;US 5,146,193;EP 0573597;DE 0573597;FR 0573597;JP 508149/92;KR 142171;US 5,162,760;US 5,218,329;US 5,250,916;US 5,327,109;US 5,488,335;CA 2114029;FR 9306297;GB 2273393;JP 3205337;KR 115113;CN 93106228.4;US 5,512,866;EP 0706719;DE 0706719;GB 0706719;CN 95190359.4;US 5,602,518;US 5,721,520;US 5,745,018;EP 0910875;DE 0910875;DK 0910875;FR 0910875;GB 0910875;IE 0910875;JP 505182/98;KR 10-323013;US 5,994,978;US 6,462,629;CN 00810420.4;US 6,559,735;US 6,650,202;US 6,834,429. Other US and foreign patents pending.

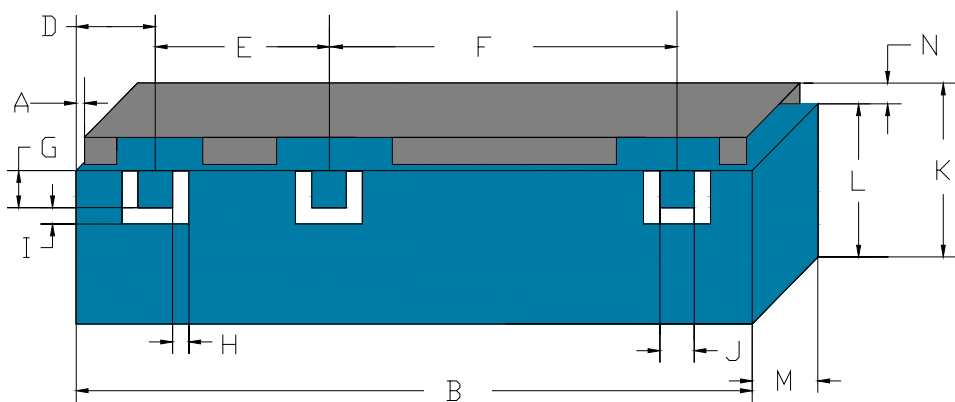
CTS Corporation 2006 reserves all copyrights in the layout, design and configuration of the patterns on this product.

CER0669A

1800 MHz DCSDuplexer

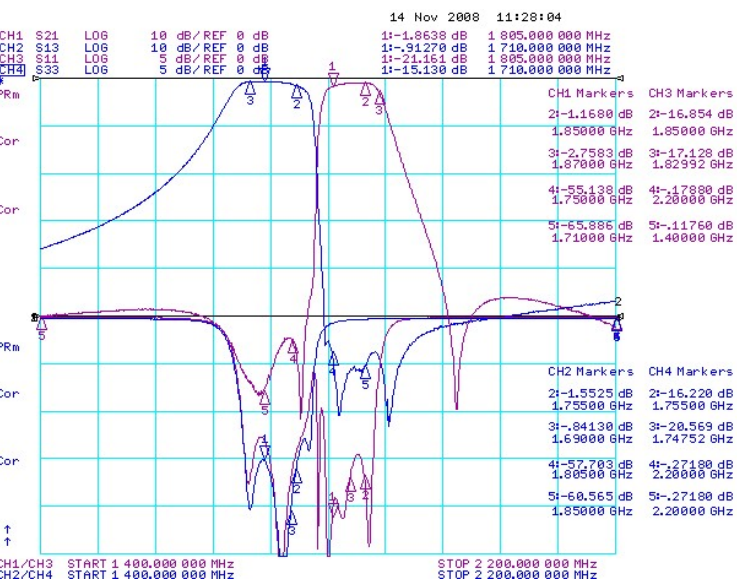
Revision B - Origin Date: November 14, 2008 – Revision Date: July 11, 2011

Mechanical Drawing

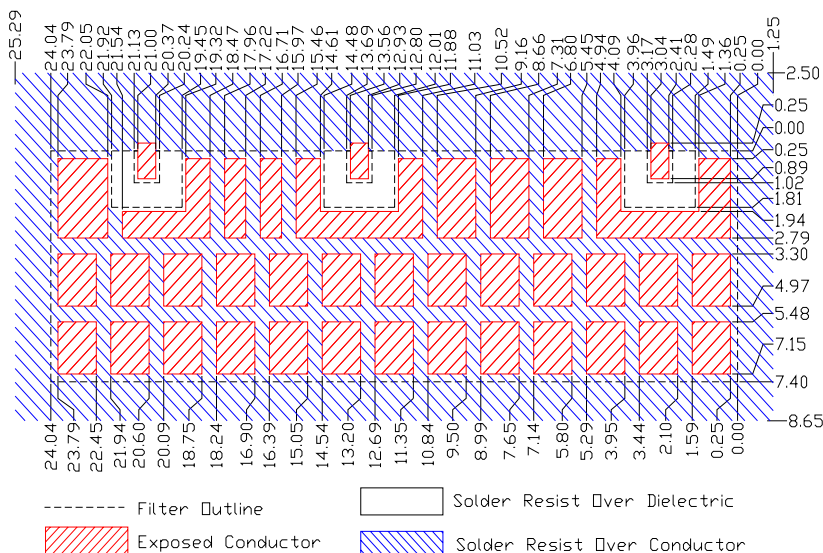


Dim	Nominal (mm)	Tolerance (mm) +/- or max
A	0.25	0.25
B	24.04	max
D	2.72	0.25
E	7.44	0.13
F	10.52	0.13
G	1.02	0.13
H	0.79	0.13
I	0.79	0.13
J	0.89	0.13
K	7.40	max
L	6.56	max
M	4.60	max
N	0.84	0.13

Electrical response



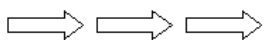
PCB Layout



Packaging and Marking

DIMENSION	UNITS	SPECIFICATION
REEL DIAMETER	mm	330
REEL WEIGHT	kg	2.3 max
REEL QUANTITY	ea.	500

CUSTOMER FEED DIRECTION



Product Marking

