



Excellent Integrated System Limited

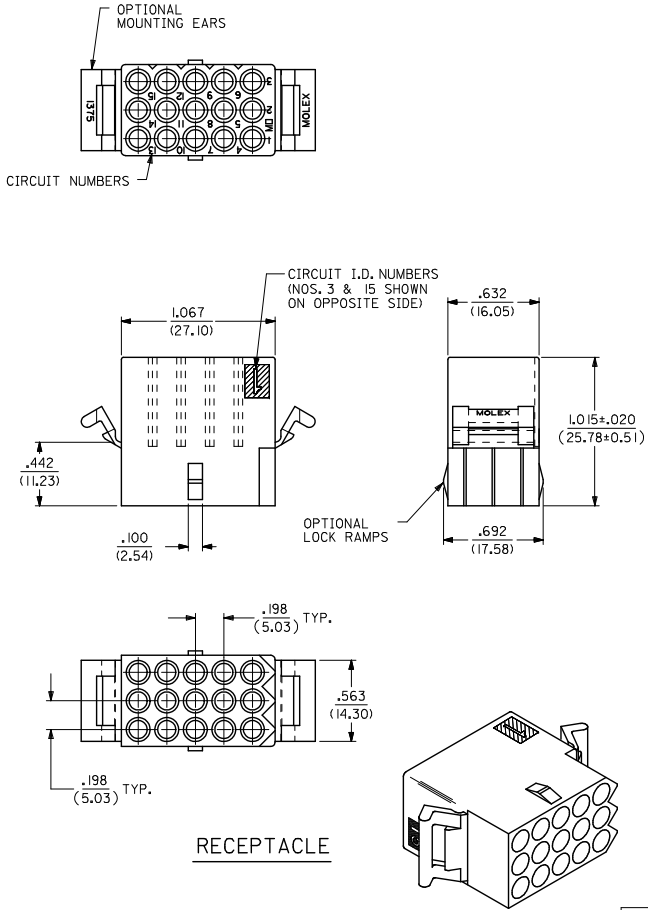
Stocking Distributor

Click to view price, real time Inventory, Delivery & Lifecycle Information:

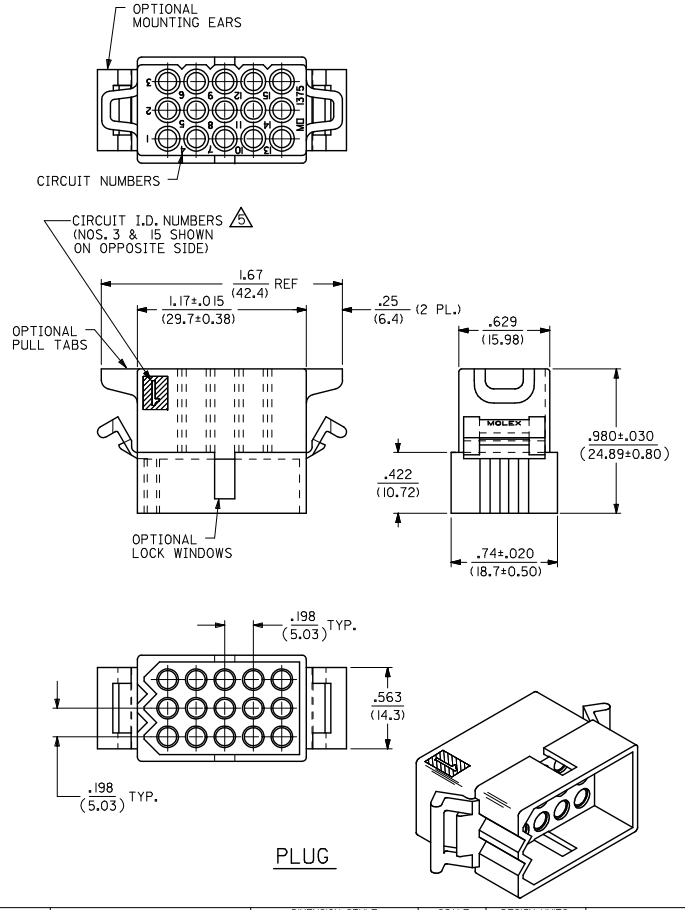
[Molex Connector Corporation](#)
[0003091153](#)

For any questions, you can email us directly:

sales@integrated-circuit.com



RECEPTACLE



PLUG

| | | | | | | | |
|--|--|---------------------------------------|-----------------|-------|---|------------------------|--|
| REMOVE 1375-R6 REC NO: UCP2015-5225 DRAWN: JMMIT 2015/06/11 CHECKED: KIPER 2015/06/11 APPROVED: SMITH 2015/06/19 DESCRIPTION REV | QUALITY SYMBOLS | GENERAL TOLERANCES (UNLESS SPECIFIED) | DIMENSION STYLE | SCALE | DESIGN UNITS | THIRD ANGLE PROJECTION | |
| | 4 PLACES ± --- ± --- 3 PLACES ± --- ± .010 2 PLACES ± 0.25 ± .014 1 PLACE ± 0.35 ± --- 0 PLACE ± --- ± --- | IN/MM | DATE | TITLE | .093/(2.36) HOUSINGS PLUG & RECEPTACLE 15 CIRCUIT, .198/(5.03)CL molex SD-1375-* SHEET NO. 1 OF 2 | | |
| | ANGULAR ±1/2° DRAFT WHERE APPLICABLE MUST REMAIN WITHIN DIMENSIONS | DATE | DATE | | | | |
| | SEE CHART | DATE | DATE | | | | |
| SIZE C | DATE | DATE | | | | | |
| | | | | | | | |

| PLUG | | | RECEPTACLE | | |
|------------|---------|-------------|------------|-----------|-------------|
| ORDER NO | ENG NO | PACKAGING | ORDER NO | ENG NO | PACKAGING |
| 03-09-2151 | I375-P | PK-1375-001 | 03-09-1151 | I375-R | PK-1375-001 |
| 03-09-2159 | I375-P4 | PK-1375-002 | 03-09-1152 | I375-R1 | PK-1375-001 |
| 03-09-2158 | I375-P7 | PK-1375-001 | 03-09-1157 | I375-R6-1 | PK-1375-001 |
| | | | 03-09-1153 | I375-R2 | PK-1375-001 |

LEGEND FOR PLUG:

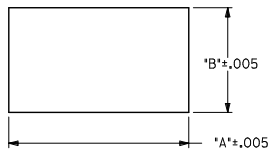
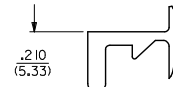
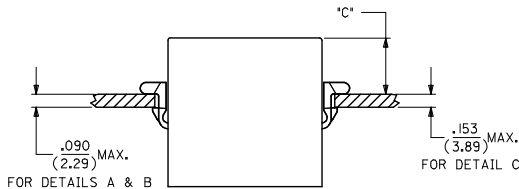
OPTIONS:
 BLANK = W/O EARS, W/ PULL TABS, W/O LOCK WINDOWS
 2 = W/ STANDARD EARS, W/O PULL TABS, W/O LOCK WINDOWS
 4 = W/ PREBENT EARS, W/O PULL TABS, W/ LOCK WINDOWS
 6 = W/O EARS, W/O PULL TABS, W/ LOCK WINDOWS
 7 = W/O EARS, W/ PULL TABS, W/ LOCK WINDOWS
 8 = W/ PREBENT EARS, W/O PULL TABS, W/O LOCK WINDOWS

COLOR:
 BLANK = NATURAL COLOR
 AM = AMBER BK = BLACK BU = BLUE
 BN = BROWN GY = GRAY GN = GREEN
 OR = ORANGE RD = RED YW = YELLOW

LEGEND FOR RECEPTACLE:

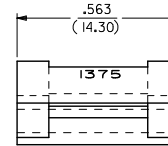
OPTIONS:
 BLANK = W/ PREBENT EARS, W/O LOCK RAMPS
 1 = W/O EARS, W/O LOCK RAMPS
 2 = W/PREBENT EARS, W/LOCK RAMPS
 6-1 = W/O EARS, W/ LOCK RAMPS

COLOR:
 BLANK = NATURAL COLOR
 AM = AMBER BK = BLACK BU = BLUE
 BN = BROWN GY = GRAY GN = GREEN
 OR = ORANGE RD = RED YW = YELLOW



RECOMMENDED PANEL OPENING

| HOUSING | DIM. 'A' | DIM. 'B' | 'C' PREBENT EAR | 'C' STANDARD EAR | 'C' SPECIAL EAR |
|-------------------|---------------|--------------|-----------------|------------------|-----------------|
| PLUG | 1.343/(34.11) | .760/(19.30) | .40/(10.2) | .36/(9.1) | |
| RECEPT. W/ RAMPS | 1.240/(31.50) | .725/(18.42) | .41/(10.4) | .37/(9.4) | .31/(7.8) |
| RECEPT. W/O RAMPS | 1.240/(31.50) | .655/(16.64) | .41/(10.4) | .37/(9.4) | .31/(7.8) |



DETAIL B

.093/(2.36) PREBENT MOUNTING EAR (SCALE 4:1)

NOTES :

- MATERIAL : NYLON TYPE 6/6, 94V-2.
- FINISH : NONE.
- PRODUCT SPECIFICATION : PS-02-09.
- PACKAGING INFORMATION : SEE CHART.
- ETCHED CIRCUIT I.D. NUMBERS ON SIDE OF HOUSINGS TO BE PRESENT ON PARTS FROM TOOLS BUILT AFTER 2/28/94.
- PARTS CONFORM TO CLASS B REQUIREMENTS OF COSMETIC SPECIFICATION PS-45499-002.

| | | | | | | | | | |
|---|--------------------------------------|--|--|---|--|---|-------------------|------------------------|-----------|
| SEE SHEET 1 REC NO: UCP2015-5225 2015/06/11 DRAWN BY: JH CHKD BY: JH APPROVED BY: JH DATE: 2015/06/19 | QUALITY SYMBOLS ∇=0 ∇=0 ∇=0 | GENERAL TOLERANCES (UNLESS SPECIFIED) | | DIMENSION STYLE IN/MM | | SCALE 1:1 | DESIGN UNITS INCH | THIRD ANGLE PROJECTION | |
| | | 4 PLACES ± --- ± --- | | DRAWN BY: KBW DATE: 01/14/1989 | | TITLE .093/(2.36) HOUSINGS PLUG & RECEPTACLE 15 CIRCUIT, 198/(5.03) CL molex | | | |
| | | 3 PLACES ± --- ± .010 | | CHECKED BY: RW DATE: 01/14/1989 | | | | | |
| | | 2 PLACES ± 0.25 ± .014 | | APPROVED BY: F SMITH DATE: 2015/06/19 | | MATERIAL NO. | | DOCUMENT NO. | SHEET NO. |
| 1 PLACE ± 0.35 ± --- | | ANGULAR ± 1/2° | | SEE CHART | | SD-1375-* | | 2 OF 2 | |
| 0 PLACE ± --- ± --- | | DRAFT WHERE APPLICABLE MUST REMAIN WITHIN DIMENSIONS | | THIS DRAWING CONTAINS INFORMATION THAT IS PROPRIETARY TO MOLEX INCORPORATED AND SHOULD NOT BE USED WITHOUT WRITTEN PERMISSION | | | | | |