

## Excellent Integrated System Limited

Stocking Distributor

Click to view price, real time Inventory, Delivery & Lifecycle Information:

[C&K Components](#)

[DS1D7AQ3](#)

For any questions, you can email us directly:

[sales@integrated-circuit.com](mailto:sales@integrated-circuit.com)

## DS Series Interlock Pushbutton Switches

### Features/Benefits

- Snap-in mounting
- Reliable snap action mechanism
- Latch or momentary
- RoHS compliant
- Halogen free material

### Typical Applications

- Interlock switch
- Detection switch
- Circuit interrupt



### Specifications

FUNCTION: Single pole double throw / Double pole double throw  
 MOUNTING TYPE: Snap in style

### Electrical

ELECTRICAL LIFE: see ratings chart below  
 DIELECTRIC STRENGTH: 1500 V (50-60 Hz @ sea level)  
 INSULATION RESISTANCE: 100 M  $\Omega$  min.  
 INITIAL CONTACT RESISTANCE: 30 milli-ohms

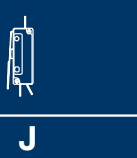
### Materials

HOUSING, COVER, ACTUATOR, KNOB: PA 66/6 halogen free, UL94V-0  
 NO & NC FIXED TERMINALS: Copper alloy  
 COMMON TERMINALS: Copper alloy, silver plate  
 CONTACTS: Silver alloy / F5 rating gold plated over silver alloy  
 RETURN SPRINGS: Stainless steel

### Operating Environment

OPERATING TEMPERATURE: -40°C to +85°C

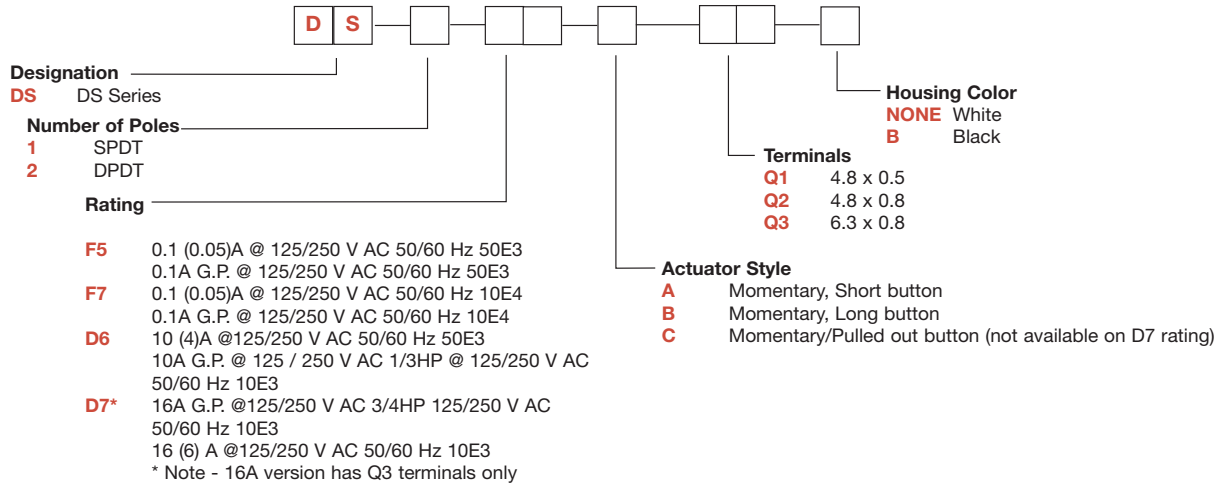
**NOTE:** Specifications and materials listed above are for switches with standard options. For information on specific and custom switches, please contact Customer Service.



Snap-acting

### Build-A-Switch

To order, simply select desired option from each category and place in the appropriate box.



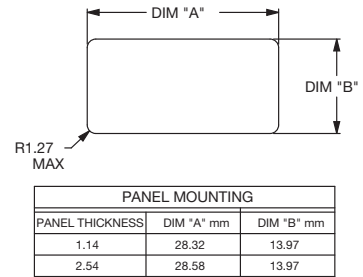
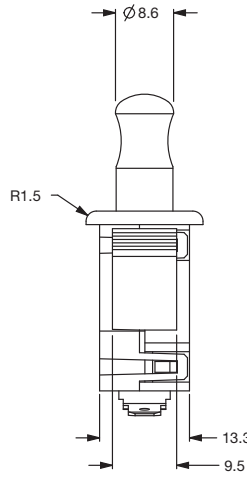
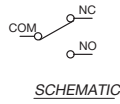
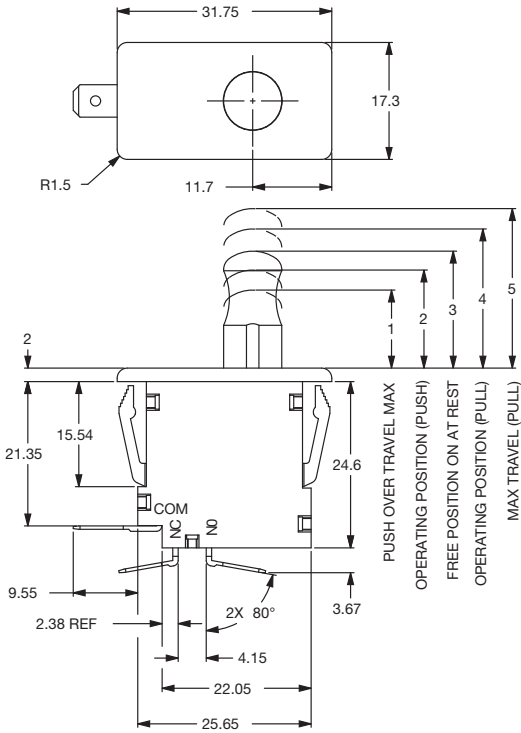
### International Rating Symbols

10E3	Cycles 10,000
10E4	Cycles 100,000
50E3	Cycles 50,000
10(4)	Current rating: First number represents resistive rating. Second number represents inductive (motor) rating
GP	General purpose rating UL1054

# DS Series Interlock Pushbutton Switches

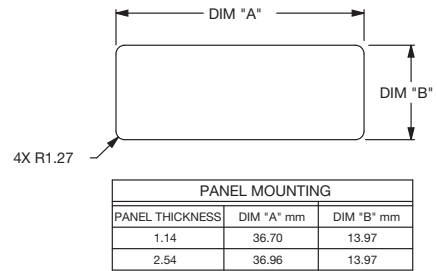
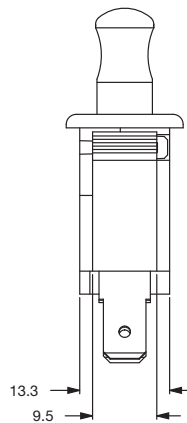
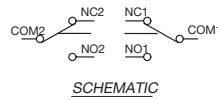
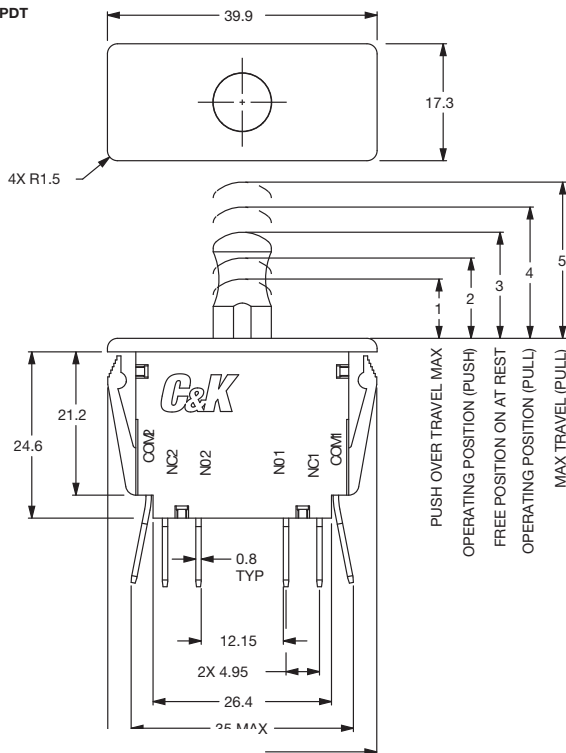
## NUMBER OF POLES

### 1 SPDT



**Snap-acting**

### 2 DPDT

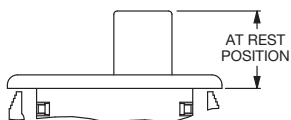


Dimensions are shown: mm  
Specifications and dimensions subject to change

## DS Series Interlock Pushbutton Switches

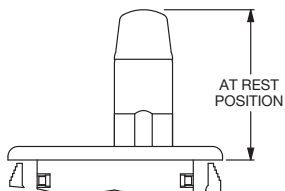
### ACTUATOR STYLE / SPECIFICATIONS

**A** SHORT BUTTON



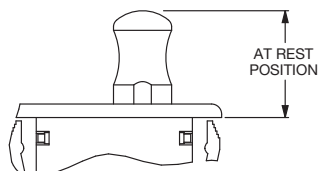
SHORT BUTTON

**B** LONG BUTTON

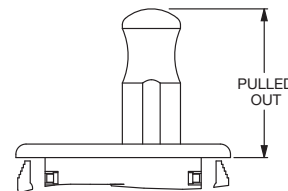


LONG BUTTON

**C** MOMENTARY/PULLED OUT



FREE POSITION



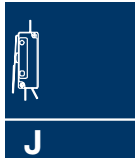
PULLED OUT POSITION

#### SPDT Specification

BUTTON STYLE	OVER TRAVEL POSITION PUSH MAX	OVER TRAVEL POSITION PULL MAX	OPERATING POSITION PUSH	OPERATING POSITION PULL	FREE POSITION AT REST	OPERATING FORCE
A	3.20	NA	8.90 ± 1.25	NA	11.45 ± 0.75	425 gf
B	10.15	NA	19.55 ± 1.25	NA	22.25 ± 0.75	425 gf
C	13.20	24.90	16.75 ± 1.25	21.60 ± 1.25	19.30 ± 0.75	PUSH 385gf PULL 475gf

#### DPDT Specification

BUTTON STYLE	OVER TRAVEL POSITION PUSH MAX	OVER TRAVEL POSITION PULL MAX	OPERATING POSITION PUSH	OPERATING POSITION PULL	FREE POSITION AT REST	OPERATING FORCE
A	3.20	NA	8.90 ± 1.25	NA	11.45 ± 0.75	680 gf
B	10.15	NA	19.55 ± 1.25	NA	22.25 ± 0.75	680gf
C	13.20	24.90	16.75 ± 1.25	21.60 ± 1.25	19.30 ± 0.75	PUSH 560gf PULL 750gf

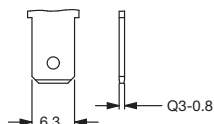
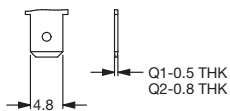


Snap-acting

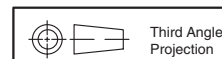
### TERMINALS

**Q1** 4.8 x 0.5  
**Q2** 4.8 x 0.8

**Q3** 6.3 x 0.8



**C&K**



Third Angle  
Projection

Dimensions are shown: mm  
Specifications and dimensions subject to change