

## Excellent Integrated System Limited

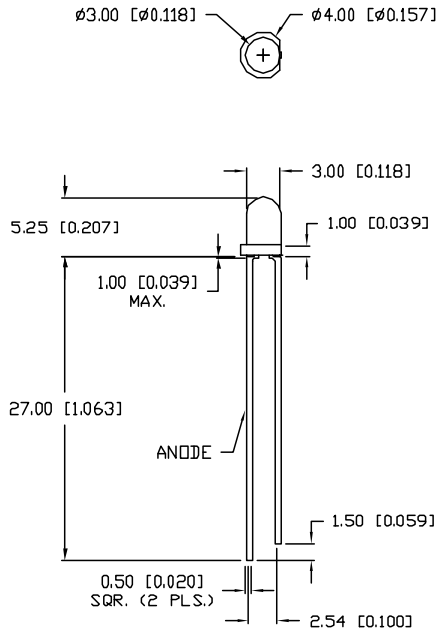
Stocking Distributor

Click to view price, real time Inventory, Delivery & Lifecycle Information:

[Lumex, Inc.](#)  
[SSL-LX3054ID](#)

For any questions, you can email us directly:  
[sales@integrated-circuit.com](mailto:sales@integrated-circuit.com)

UNCONTROLLED DOCUMENT



|              |                                     |         |
|--------------|-------------------------------------|---------|
| PART NUMBER  |                                     | REV.    |
| SSL-LX3054ID |                                     | D       |
| REV.         | E.C.N. NUMBER AND REVISION COMMENTS | DATE    |
| A            | REDRAWN.                            | 9.1.93  |
| B            | UPDATED SPECS.                      | 8.11.94 |
| C            | UPADTED SAFE OPER SPECS.            | 1.20.95 |
| D            | E.C.N. #10BRDR. & REDRAWN IN 3D.    | 4.16.01 |

ELECTRO-OPTICAL CHARACTERISTICS  $T_A=25^\circ\text{C}$   $I_f=20\text{mA}$

| PARAMETER          | MIN          | TYP | MAX | UNITS      | TEST COND            |
|--------------------|--------------|-----|-----|------------|----------------------|
| PEAK WAVELENGTH    |              | 635 |     | nm         |                      |
| FORWARD VOLTAGE    |              | 2.0 | 2.5 | $V_f$      |                      |
| REVERSE VOLTAGE    | 5.0          |     |     | $V_r$      | $I_r=100\mu\text{A}$ |
| AXIAL INTENSITY    |              | 40  |     | mcd        | $I_f=20\text{mA}$    |
| VIEWING ANGLE      |              | 60  |     | $2x$ theta |                      |
| EMITTED COLOR:     | RED          |     |     |            |                      |
| EPOXY LENS FINISH: | RED DIFFUSED |     |     |            |                      |

LIMITS OF SAFE OPERATION AT  $25^\circ\text{C}$

| PARAMETER                      | MAX        | UNITS                |
|--------------------------------|------------|----------------------|
| PEAK FORWARD CURRENT*          | 150        | mA                   |
| STEADY CURRENT                 | 30         | mA                   |
| POWER DISSIPATION              | 105        | mW                   |
| DERATE FROM $25^\circ\text{C}$ | -1.6       | mW/ $^\circ\text{C}$ |
| OPERATING, STORAGE TEMP.       | -40 TO +85 | $^\circ\text{C}$     |
| SOLDERING TEMP.                | +260       | $^\circ\text{C}$     |
| 2.0mm FROM BODY                |            | 3 SEC. MAX           |

\*  $t < 10\mu\text{s}$

\*UNLESS OTHERWISE SPECIFIED TOLERANCES PER DECIMAL PRECISION ARE: X=±1 (±0.039), XX=±0.5 (±0.020), XXX=±0.25 (±0.010), XXXX=±0.127 (±0.005). LEAD SIZE=±0.05 (±0.002), LEAD LENGTH=±0.75 (±0.030). MIN.=<sup>+0.00</sup>DECIMAL PRECISION -0.00 -DECIMAL PRECISION MAX.=<sup>+0.00</sup>DECIMAL PRECISION -DECIMAL PRECISION

UNCONTROLLED DOCUMENT

|  |                             |  |  |
|--|-----------------------------|--|--|
| REV.<br>D  | PART NUMBER<br>SSL-LX3054ID | <p><b>CONFIDENTIAL INFORMATION</b></p> <p>THE INFORMATION CONTAINED IN THIS DOCUMENT IS THE PROPERTY OF LUMEX INC. EXCEPT AS SPECIALLY AUTHORIZED IN WRITING BY LUMEX INC., THE HOLDER OF THIS DOCUMENT SHALL KEEP ALL INFORMATION CONTAINED HEREIN CONFIDENTIAL AND SHALL PROTECT SAME IN WHOLE OR IN PART FROM DISCLOSURE AND DISSEMINATION TO ALL THIRD PARTIES.</p> <p><b>RELIABILITY NOTE</b></p> <p>OUR MANY YEARS OF EXPERIENCE DATA ACCUMULATION INDICATE THAT SOLDER HEAT IS A MAJOR CAUSE OF EARLY AND FUTURE FAILURE. PLEASE PAY ATTENTION TO YOUR SOLDERING PROCESS.</p> | <p>290 E. HELEN ROAD<br/>PALATINE, IL 60067-6976<br/>PHONE: +1.847.359.2790<br/>US WEB: www.lumex.com<br/>TW WEB: www.lumex.com.tw</p> |
| T-3mm (T-1) 635nm RED LED,<br>RED DIFFUSED LENS. |                             | <p>DRAWN BY: BC</p> <p>CHECKED BY:</p> <p>APPROVED BY:</p>   | <p>DATE: 8.9.94<br/>PAGE: 1 OF 1<br/>SCALE: N/A</p>  |