

## Excellent Integrated System Limited

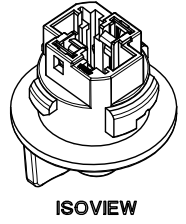
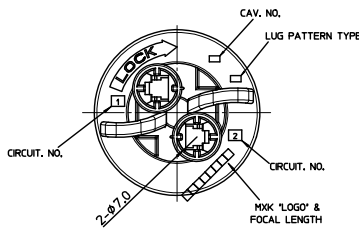
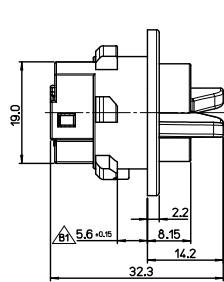
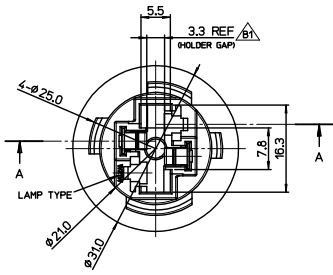
Stocking Distributor

Click to view price, real time Inventory, Delivery & Lifecycle Information:

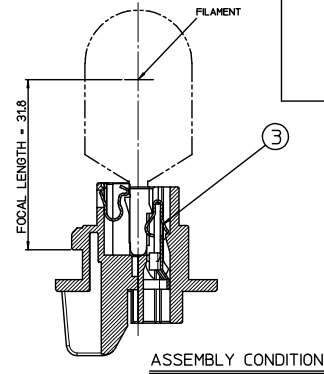
[Molex Connector Corporation](#)  
[1041340211](#)

For any questions, you can email us directly:

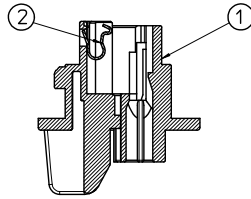
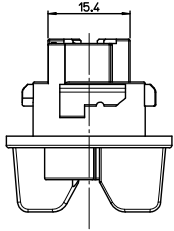
[sales@integrated-circuit.com](mailto:sales@integrated-circuit.com)



ISOVIEW



ASSEMBLY CONDITION



SECTION A-A

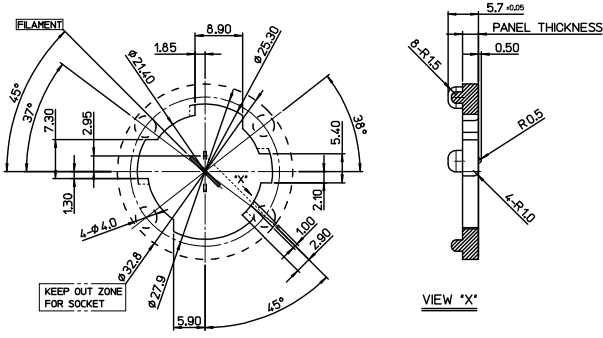
<NOTE>

1. APPLICABLE LAMP : W21W(T20)
2. PANEL THICKNESS : 3.0mm ±0.1
3. MATES WITH

NO.	DESCRIPTION	MATERIAL	PART NO.	WIRE RANGE
③	SINGLE TERMINAL	BRASS	49869-9102	0.5-0.85mm <sup>2</sup>

<PARTS LIST>

NO.	DESCRIPTION	MATERIAL	USAGE	REMARK
①	T20 BULB SOCKET	NYLON46, GF 30%	1	BLACK
②	LAMP HOLDER	SUS	2	UNPLATED



VIEW 'X'

LUG PATTERN "B"

GENERAL TOLERANCE: ±0.1

KEEP OUT ZONE FOR SOCKET

MATERIAL NO.	ORDER NO.	COLOR
1041340211	104134-0211	BLACK
1041340215	104134-0215	GRAY

SCALE 2:1

DESIGN UNITS METRIC

THIRD ANGLE PROJECTION

W21W UNSEALED WEDGE BULB SOCKET 2P

MOLEX INCORPORATED

DOCUMENT NO. SD-104134-001

SHEET NO. 1 OF 1

CHANGED DIMS & ADDED COLOR  
EC. NO.: KTR2012-0067  
DRAWN: MIMON 2012/05/03  
CHK: CHIMON 2012/05/03  
APPR: [ ]

QUALITY SYMBOLS  
▽=0  
▽=0

GENERAL TOLERANCES (UNLESS SPECIFIED)  
mm INCH  
4 PLACES ± --- ± ---  
3 PLACES ± --- ± ---  
2 PLACES ± 0.2 ± ---  
1 PLACE ± 0.30 ± ---  
ANGULAR ± 1 °

DIMENSION STYLE MM ONLY  
DRAWN BY DATE  
SMKIM 2009/03/17  
CHECKED BY DATE  
BCYOON 2009/03/17  
APPROVED BY DATE  
DC LISLE 2012/06/29

DRAFT WHERE APPLICABLE MUST REMAIN WITHIN DIMENSIONS  
SEE TABLE 1

THIS DRAWING CONTAINS INFORMATION THAT IS PROPRIETARY TO MOLEX INCORPORATED AND SHOULD NOT BE USED WITHOUT WRITTEN PERMISSION