

Excellent Integrated System Limited

Stocking Distributor

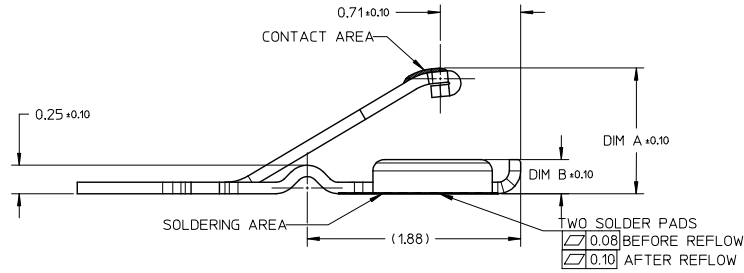
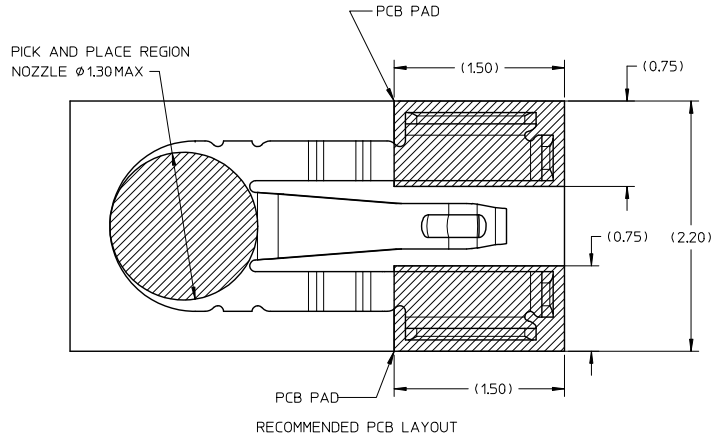
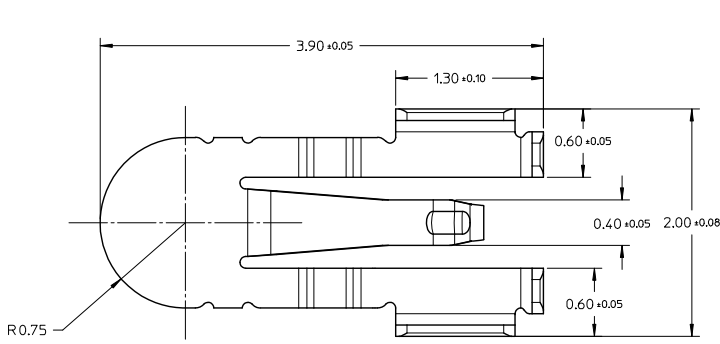
Click to view price, real time Inventory, Delivery & Lifecycle Information:

[Molex Connector Corporation](#)
[1053840003](#)

For any questions, you can email us directly:

sales@integrated-circuit.com

10 9 8 7 6 5 4 3 2 1



P/N:	DIM A (FREE HEIGHT)	DIM B	WORKING RANGE
105384-0001	1.10	0.30	0.40-0.80
105384-0002	1.40	0.60	0.70-1.10

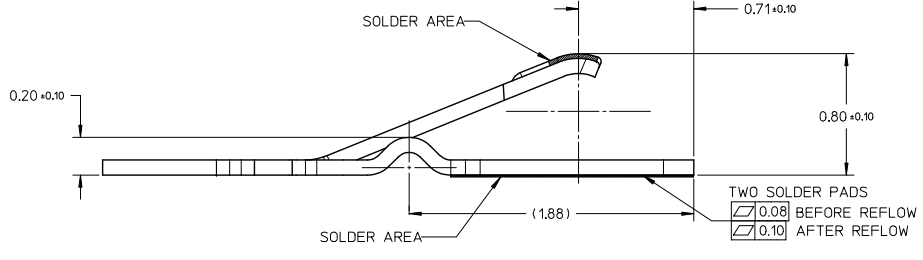
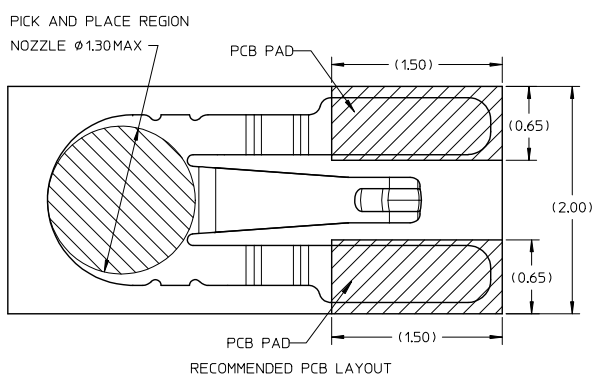
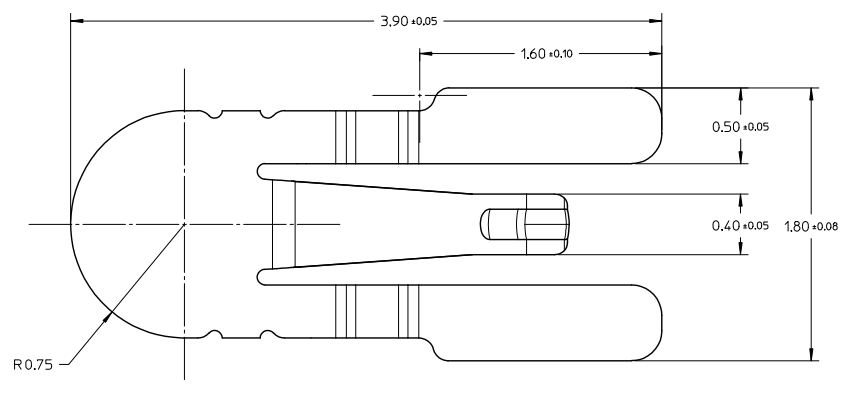
NOTES:

- MATERIAL: STAINLESS STEEL
- FINISH:
 - NI UNDER PLATING OVERALL: 24h MINIMUM
 - SOLDERING AREA: GOLD FLASH
 - CONTACT AREA: 0.50µm Au MINIMUM
- PRODUCT COMPLIANT TO ROHS DIRECTIVE 2011/65/EU AND ELV DIRECTIVE 2003/53/EC.

RELEASE EC NO: SHZ016-0120 2015/08/25 DRAWN BY: RL109 CHKD: CHYK APPR: RZHANG REV: B	QUALITY SYMBOLS	GENERAL TOLERANCES (UNLESS SPECIFIED)	DIMENSION STYLE	SCALE	DESIGN UNITS	THIRD ANGLE PROJECTION
	√=0 √=0 √=0	4 PLACES ± --- ± --- 3 PLACES ± --- ± --- 2 PLACES ± 0.15 ± --- 1 PLACE ± 0.20 ± --- 0 PLACE ± --- ± ---	MM ONLY	30:1	METRIC	☉ THIRD ANGLE PROJECTION
		ANGULAR ± 3°	DRAWN BY: RL109 DATE: 2014/03/20	TITLE: SPRING CLIP		
		DRAFT WHERE APPLICABLE MUST REMAIN WITHIN DIMENSIONS	CHECKED BY: DATE:	DOCUMENT NO. SD-105384-001		
			APPROVED BY: RZHANG DATE: 2015/03/16	SHEET NO. 1 OF 5		
			MATERIAL NO. SEE TABLE	THIS DRAWING CONTAINS INFORMATION THAT IS PROPRIETARY TO MOLEX INCORPORATED AND SHOULD NOT BE USED WITHOUT WRITTEN PERMISSION		

9 8 7 6 5 4 3 2 1

10 9 8 7 6 5 4 3 2 1



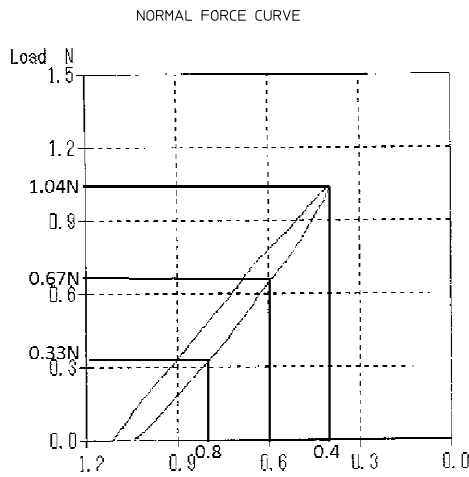
PART NUMBER	WORKING RANGE
105384-0003	0.30 ~ 0.55

NOTES:
 1. MATERIAL: STAINLESS STEEL
 2. FINISH:
 NI UNDER PLATING OVERALL: 24μm MINIMUM
 SOLDERING AREA: GOLD FLASH
 CONTACT AREA: 0.504μm Au MINIMUM
 3. PRODUCT COMPLIANT TO ROHS DIRECTIVE 2011/65/EU
 AND ELV DIRECTIVE 2003/53/EC.

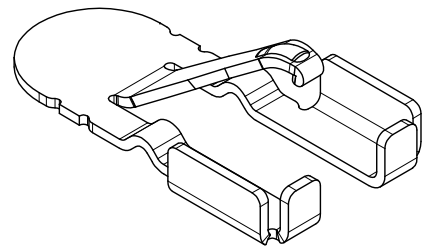
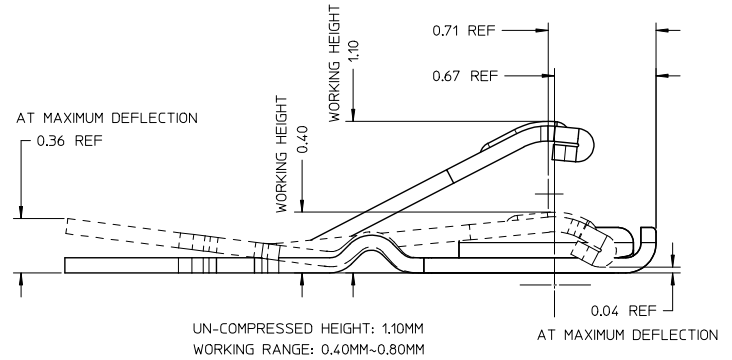
RELEASE EC NO: SHZ016-0120 DRAWN BY: RL109 CHKD: APPR: RZHANG 2015/08/25 2015/12/03	QUALITY SYMBOLS	GENERAL TOLERANCES (UNLESS SPECIFIED)	DIMENSION STYLE	SCALE	DESIGN UNITS	THIRD ANGLE PROJECTION	
	√=0 √=0 √=0	mm INCH 4 PLACES ± --- ± --- 3 PLACES ± --- ± --- 2 PLACES ± 0.15 ± --- 1 PLACE ± 0.20 ± --- 0 PLACE ± --- ± --- ANGULAR ± 3°	MM ONLY	40:1	METRIC	DRAWN BY: RL109 DATE: 2014/03/20 CHECKED BY: DATE: APPROVED BY: RZHANG DATE: 2015/03/16 MATERIAL NO.: SEE TABLE	TITLE: SPRING CLIP DOCUMENT NO.: SD-105384-001 SHEET NO.: 2 OF 5
	DRAFT WHERE APPLICABLE MUST REMAIN WITHIN DIMENSIONS	SIZE: A3 THIS DRAWING CONTAINS INFORMATION THAT IS PROPRIETARY TO MOLEX INCORPORATED AND SHOULD NOT BE USED WITHOUT WRITTEN PERMISSION					

9 8 7 6 5 4 3 2 1

10 9 8 7 6 5 4 3 2 1



NORMAL FORCE: 0.33N AT 0.80 MM WORKING HEIGHT (MINIMUM DEFLECTION)
 NORMAL FORCE: 0.67N AT 0.60 MM WORKING HEIGHT (NORMAL DEFLECTION)
 NORMAL FORCE: 1.04N AT 0.40 MM WORKING HEIGHT (MAXIMUM DEFLECTION)
 (NORMAL FORCE IS ONLY FOR REFERENCE)

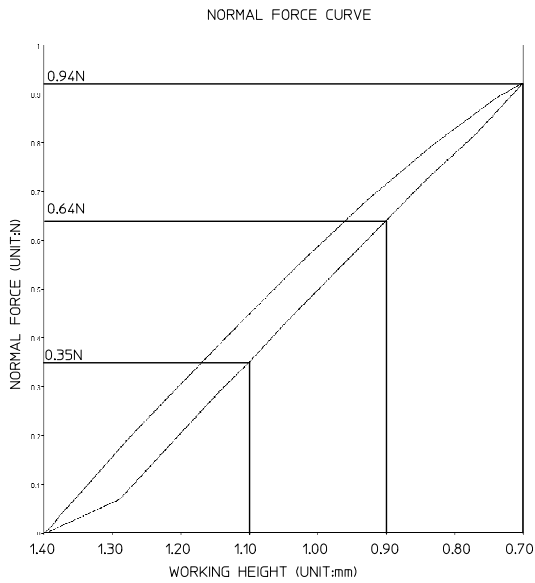


1053840001

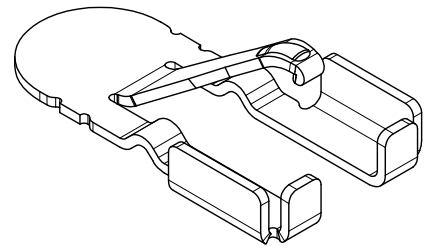
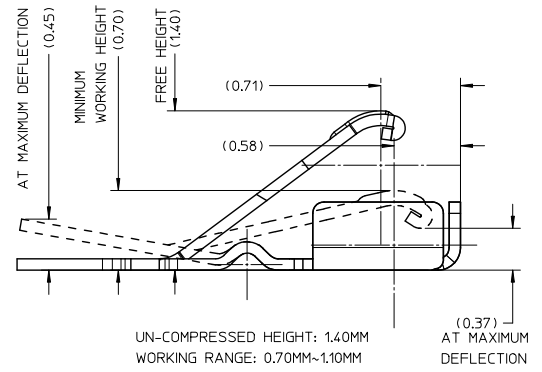
RELEASE EC NO: SH2016-0120 2015/08/25 DRW: RL109 CHKD: APPR: RZHANG 2015/12/03 REV	QUALITY SYMBOLS	GENERAL TOLERANCES (UNLESS SPECIFIED)	DIMENSION STYLE	SCALE	DESIGN UNITS	THIRD ANGLE PROJECTION
	$\nabla=0$ $\nabla=0$ $\nabla=0$	mm INCH 4 PLACES ± --- ± --- 3 PLACES ± --- ± --- 2 PLACES ± 0.15 ± --- 1 PLACE ± 0.20 ± --- 0 PLACE ± --- ± ---	MM ONLY	4:1	METRIC	
		ANGULAR ± 3°	DRAWN BY	DATE	TITLE	
		DRAFT WHERE APPLICABLE MUST REMAIN WITHIN DIMENSIONS	RL109	2014/03/20	SPRING CLIP	
		CHECKED BY	DATE			
		APPROVED BY	DATE			
		RZHANG	2015/03/16			
		MATERIAL NO.	SEE TABLE	DOCUMENT NO.	SD-105384-001	SHEET NO.
		SIZE	A3	THIS DRAWING CONTAINS INFORMATION THAT IS PROPRIETARY TO MOLEX INCORPORATED AND SHOULD NOT BE USED WITHOUT WRITTEN PERMISSION		3 OF 5

9 8 7 6 5 4 3 2 1

10 9 8 7 6 5 4 3 2 1



NORMAL FORCE: 0.35N AT 1.10 MM WORKING HEIGHT (MINIMUM DEFLECTION)
 NORMAL FORCE: 0.64N AT 0.90 MM WORKING HEIGHT (NORMAL DEFLECTION)
 NORMAL FORCE: 0.94N AT 0.70 MM WORKING HEIGHT (MAXIMUM DEFLECTION)

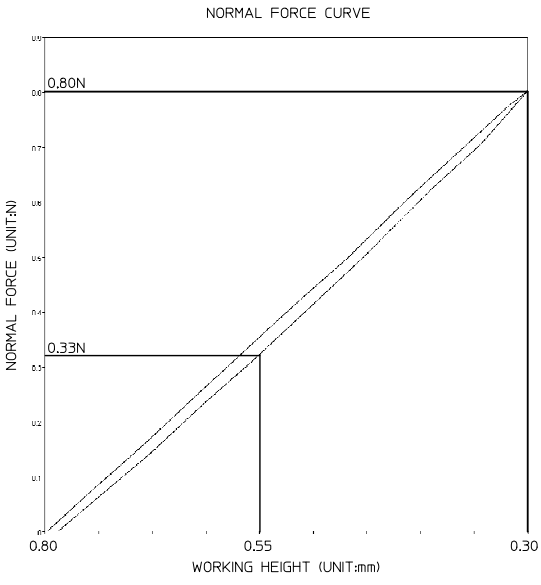


1053840002

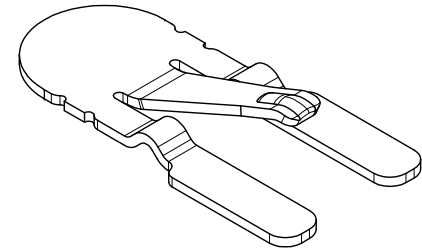
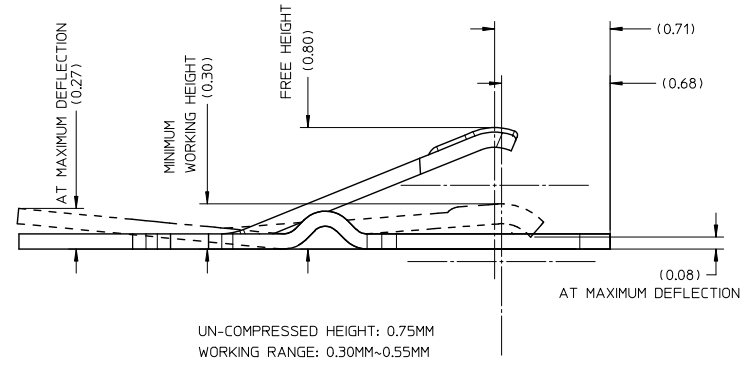
RELEASE EC NO: SH2016-0120 DRAWN BY: RL109 CHKD: RZHANG APPR: RZHANG 2015/08/25 2015/12/03	QUALITY SYMBOLS	GENERAL TOLERANCES (UNLESS SPECIFIED)	DIMENSION STYLE	SCALE	DESIGN UNITS	THIRD ANGLE PROJECTION
	$\nabla=0$ $\nabla=0$ $\nabla=0$	mm INCH 4 PLACES ± --- ± --- 3 PLACES ± --- ± --- 2 PLACES ± 0.15 ± --- 1 PLACE ± 0.20 ± --- 0 PLACE ± --- ± ---	MM ONLY	30:1	METRIC	THIRD ANGLE PROJECTION
	ANGULAR ± 3° DRAFT WHERE APPLICABLE MUST REMAIN WITHIN DIMENSIONS	DRAWN BY: RL109 DATE: 2014/03/20 CHECKED BY: DATE: APPROVED BY: RZHANG DATE: 2015/03/16	TITLE	SPRING CLIP		
	MATERIAL NO. DOCUMENT NO. SHEET NO.	SEE TABLE SD-105384-001 4 OF 5	THIS DRAWING CONTAINS INFORMATION THAT IS PROPRIETARY TO MOLEX INCORPORATED AND SHOULD NOT BE USED WITHOUT WRITTEN PERMISSION			

9 8 7 6 5 4 3 2 1

10 9 8 7 6 5 4 3 2 1



NORMAL FORCE: 0.33N AT 0.55 MM WORKING HEIGHT (MINIMUM DEFLCTION)
 NORMAL FORCE: 0.80N AT 0.30 MM WORKING HEIGHT (MAXIMUM DEFLCTION)
 (NORMAL FORCE IS ONLY FOR REFERENCE)



1053840003

RELEASE EC NO: SHZ016-0120 2015/08/25 B DRAWN: RL109 CHKD: APPR: RZHANG 2015/12/03	QUALITY SYMBOLS	GENERAL TOLERANCES (UNLESS SPECIFIED)	DIMENSION STYLE	SCALE	DESIGN UNITS	THIRD ANGLE PROJECTION
	$\nabla=0$ $\nabla=0$ $\nabla=0$	mm INCH 4 PLACES ± --- ± --- 3 PLACES ± --- ± --- 2 PLACES ± 0.15 ± --- 1 PLACE ± 0.20 ± --- 0 PLACE ± --- ± ---	MM ONLY	50:1	METRIC	<input checked="" type="checkbox"/> THIRD ANGLE PROJECTION
	DRAWN BY: RL109 DATE: 2014/03/20 CHECKED BY: DATE:	APPROVED BY: RZHANG DATE: 2015/03/16	TITLE: SPRING CLIP			
	MATERIAL NO. DOCUMENT NO. SD-105384-001 SHEET NO. 5 OF 5	SEE TABLE THIS DRAWING CONTAINS INFORMATION THAT IS PROPRIETARY TO MOLEX INCORPORATED AND SHOULD NOT BE USED WITHOUT WRITTEN PERMISSION				

9 8 7 6 5 4 3 2 1