

Excellent Integrated System Limited

Stocking Distributor

Click to view price, real time Inventory, Delivery & Lifecycle Information:

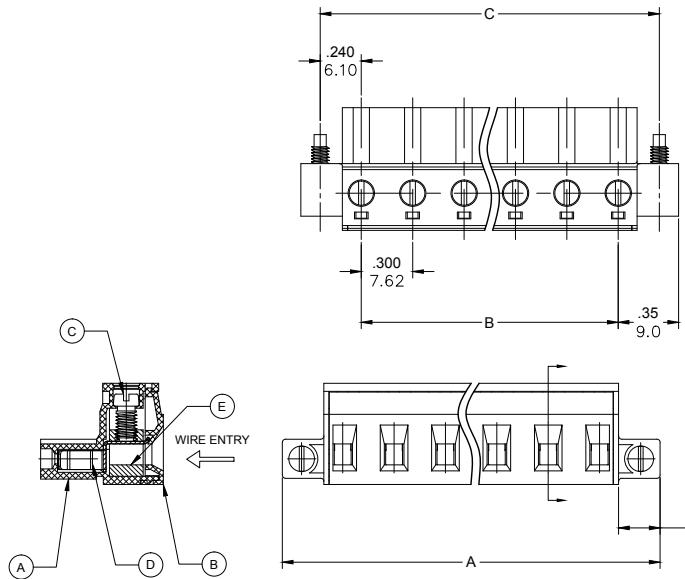
[Molex Connector Corporation](#)
[0397050005](#)

For any questions, you can email us directly:

sales@integrated-circuit.com

PART NUMBER DATA										
CIRCUITS	PART NUMBER	ENGINEERING NUMBER	COLOR	A IN mm		B IN mm		C IN mm		
2	397050002	M750B-04-5-02-3	GREEN	1.01	25.5	.300	7.62	.780	19.81	
3	397050003	M750B-04-5-03-3	GREEN	1.31	33.2	.600	15.23	1.080	27.43	
4	397050004	M750B-04-5-04-3	GREEN	1.61	40.8	.900	22.85	1.380	35.04	
5	397050005	M750B-04-5-05-3	GREEN	1.91	48.4	1.200	30.47	1.680	42.66	
6	397050006	M750B-04-5-06-3	GREEN	2.21	56.0	1.500	38.09	1.980	50.28	
7	397050007	M750B-04-5-07-3	GREEN	2.50	63.6	1.799	45.70	2.279	57.90	
8	397050008	M750B-04-5-08-3	GREEN	2.80	71.2	2.099	53.32	2.579	65.51	
9	397050009	M750B-04-5-09-3	GREEN	3.10	78.9	2.399	60.94	2.879	73.13	
10	397050010	M750B-04-5-10-3	GREEN	3.40	86.5	2.699	68.56	3.179	80.75	
11	397050011	M750B-04-5-11-3	GREEN	3.70	94.1	2.999	76.17	3.479	88.37	
12	397050012	M750B-04-5-12-3	GREEN	4.00	101.7	3.299	83.79	3.779	95.98	

REF. LAST 2 DIGITS OF PART NUMBER EQUALS NUMBER OF POLES



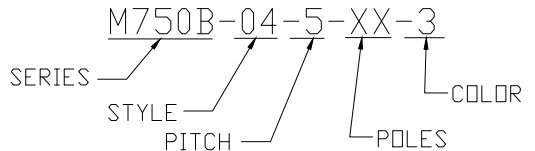
SPECIFICATIONS

1. MATERIAL:

- A. BODY: PA66.UL94 V-0
- B. COVER: PA66.UL94 V-0
- C. TERMINAL SCREW: M3.0, STEEL.ZINC PLATED
- D. CONTACT: COPPER ALLOY. TIN PLATED
- E. CAGE: BRASS NICKEL PLATED
- F. MOUNTING SCREW: M2.5, STEEL. ZINC PLATED

- 2. WIRE SIZE: 30 - 12AWG.
- 3. RATING: 15A AT 51-150V, 10A AT 151 TO 300V
- 4. SCREW TORQUE: 5.0 IN. LBS.
- 5. WIRE STRIP LENGTH: .20 (5.0mm)
- 6. OPERATING TEMPERATURE: -40°C TO +105°C
- 7. MATES WITH HEADER SERIES: 39725
- 8. DIMS SHOWN ARE FOR REFERENCE ONLY

ENGINEERING NUMBER LEGEND



CONTACT FACTORY FOR OPTIONAL COLORS

RELEASED EC NO: PC2014-1194 DRWN: RSTONE 2014/01/22 CHKD: G. FARNS APPR: JFMURPHY 2014/10/16 A	QUALITY SYMBOL ▽=0 ∇=0	GENERAL TOLERANCES (UNLESS SPECIFIED)		DIMENSION STYLE IN/MM		SCALE ---	DESIGN UNITS METRIC	THIRD ANGLE PROJECTION	
		4 PLACES ±	±	DRAWN BY RSTONE	DATE 2014/01/22	TITLE 7.62MM EURO PLUG RIGHT ANGLE WITH MOUNTING ENDS			
		3 PLACES ±	±.005	CHECKED BY G. FARNS	DATE ---	MOLEX INCORPORATED			
		2 PLACES ±0.13	±.01	APPROVED BY JFMURPHY	DATE 2014/10/16	MATERIAL NO. SEE CHART			
1 PLACE ±0.3	±	ANGULAR ±°		MATERIAL NO. SEE CHART		DOCUMENT NO. SD-39705-001	SHEET NO. 1 OF 1		
DRAFT WHERE APPLICABLE MUST REMAIN WITHIN DIMENSIONS		SIZE C		THIS DRAWING CONTAINS INFORMATION THAT IS PROPRIETARY TO MOLEX INCORPORATED AND SHOULD NOT BE USED WITHOUT WRITTEN PERMISSION					