

## Excellent Integrated System Limited

Stocking Distributor

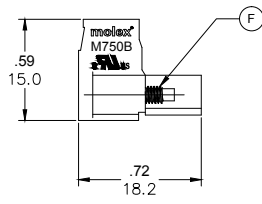
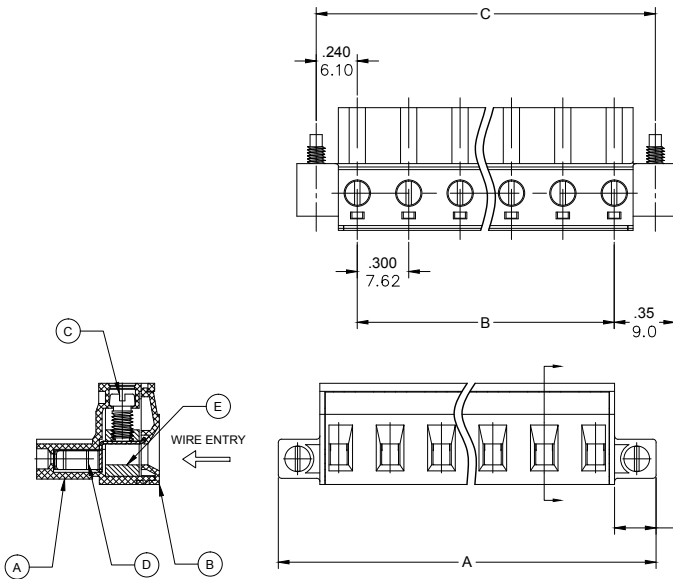
Click to view price, real time Inventory, Delivery & Lifecycle Information:

[Molex Connector Corporation](#)  
[0397050011](#)

For any questions, you can email us directly:  
[sales@integrated-circuit.com](mailto:sales@integrated-circuit.com)

| PART NUMBER DATA |             |                    |       |         |       |         |       |         |       |  |
|------------------|-------------|--------------------|-------|---------|-------|---------|-------|---------|-------|--|
| CIRCUITS         | PART NUMBER | ENGINEERING NUMBER | COLOR | A IN mm |       | B IN mm |       | C IN mm |       |  |
| 2                | 397050002   | M750B-04-5-02-3    | GREEN | 1.01    | 25.5  | .300    | 7.62  | .780    | 19.81 |  |
| 3                | 397050003   | M750B-04-5-03-3    | GREEN | 1.31    | 33.2  | .600    | 15.23 | 1.080   | 27.43 |  |
| 4                | 397050004   | M750B-04-5-04-3    | GREEN | 1.61    | 40.8  | .900    | 22.85 | 1.380   | 35.04 |  |
| 5                | 397050005   | M750B-04-5-05-3    | GREEN | 1.91    | 48.4  | 1.200   | 30.47 | 1.680   | 42.66 |  |
| 6                | 397050006   | M750B-04-5-06-3    | GREEN | 2.21    | 56.0  | 1.500   | 38.09 | 1.980   | 50.28 |  |
| 7                | 397050007   | M750B-04-5-07-3    | GREEN | 2.50    | 63.6  | 1.799   | 45.70 | 2.279   | 57.90 |  |
| 8                | 397050008   | M750B-04-5-08-3    | GREEN | 2.80    | 71.2  | 2.099   | 53.32 | 2.579   | 65.51 |  |
| 9                | 397050009   | M750B-04-5-09-3    | GREEN | 3.10    | 78.9  | 2.399   | 60.94 | 2.879   | 73.13 |  |
| 10               | 397050010   | M750B-04-5-10-3    | GREEN | 3.40    | 86.5  | 2.699   | 68.56 | 3.179   | 80.75 |  |
| 11               | 397050011   | M750B-04-5-11-3    | GREEN | 3.70    | 94.1  | 2.999   | 76.17 | 3.479   | 88.37 |  |
| 12               | 397050012   | M750B-04-5-12-3    | GREEN | 4.00    | 101.7 | 3.299   | 83.79 | 3.779   | 95.98 |  |

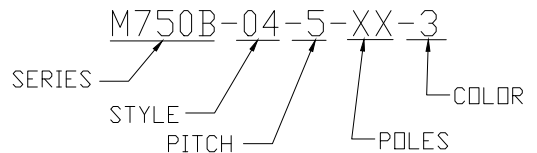
REF. LAST 2 DIGITS OF PART NUMBER EQUALS NUMBER OF POLES



SPECIFICATIONS

- MATERIAL:
  - A. BODY: PA66.UL94 V-0
  - B. COVER: PA66.UL94 V-0
  - C. TERMINAL SCREW: M3.0, STEEL.ZINC PLATED
  - D. CONTACT: COPPER ALLOY. TIN PLATED
  - E. CAGE: BRASS NICKEL PLATED
  - F. MOUNTING SCREW: M2.5, STEEL. ZINC PLATED
- WIRE SIZE: 30 - 12AWG.
- RATING: 15A AT 51-150V, 10A AT 151 TO 300V
- SCREW TORQUE: 5.0 IN. LBS.
- WIRE STRIP LENGTH: .20 (5.0mm)
- OPERATING TEMPERATURE: -40°C TO +105°C
- MATES WITH HEADER SERIES: 39725
- DIMS SHOWN ARE FOR REFERENCE ONLY

ENGINEERING NUMBER LEGEND



CONTACT FACTORY FOR OPTIONAL COLORS

|   |                              |  |       |                       |                 |   |                     |                        |  |
|---|------------------------------|--|-------|-----------------------|-----------------|---|---------------------|------------------------|--|
| RELEASED<br>EC NO: PC2014-1194<br>DRWN: RSTONE 2014/01/22<br>CHKD: G. FARNS<br>APPR: JFMURPHY 2014/10/16<br>A | QUALITY SYMBOL<br>▽=0<br>∇=0 | GENERAL TOLERANCES (UNLESS SPECIFIED)                |       | DIMENSION STYLE IN/MM |                 | SCALE ---   | DESIGN UNITS METRIC | THIRD ANGLE PROJECTION |  |
|   |                              | 4 PLACES ±   | ±     | DRAWN BY RSTONE       | DATE 2014/01/22 | TITLE 7.62MM EURO PLUG RIGHT ANGLE WITH MOUNTING ENDS   |                     |                        |  |
|   |                              | 3 PLACES ±   | ±.005 | CHECKED BY G. FARNS   | DATE ---        | MOLEX INCORPORATED  |                     |                        |  |
|   |                              | 2 PLACES ±0.13                                       | ±.01  | APPROVED BY JFMURPHY  | DATE 2014/10/16 | MATERIAL NO. SEE CHART DOCUMENT NO. SD-39705-001 SHEET NO. 1 OF 1   |                     |                        |  |
| ANGULAR ±°  |                              | DRAFT WHERE APPLICABLE MUST REMAIN WITHIN DIMENSIONS |       | SIZE C                |                 | THIS DRAWING CONTAINS INFORMATION THAT IS PROPRIETARY TO MOLEX INCORPORATED AND SHOULD NOT BE USED WITHOUT WRITTEN PERMISSION |                     |                        |  |