

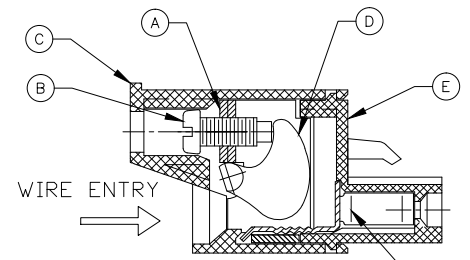
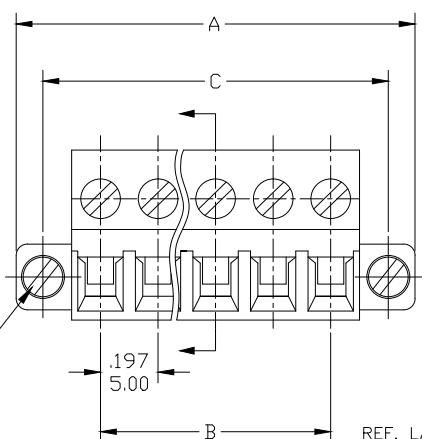
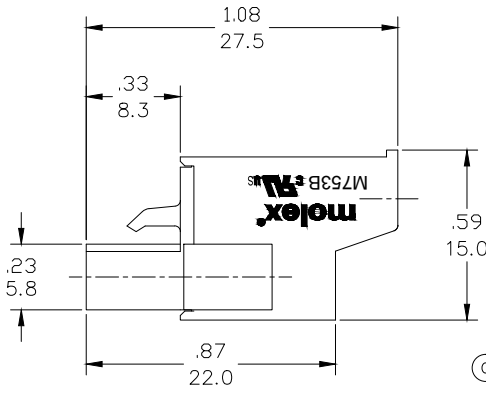
## Excellent Integrated System Limited

Stocking Distributor

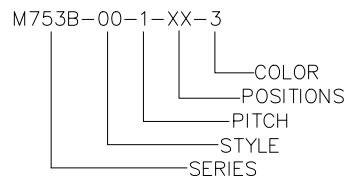
Click to view price, real time Inventory, Delivery & Lifecycle Information:

[Molex Connector Corporation](#)  
[0397100003](#)

For any questions, you can email us directly:  
[sales@integrated-circuit.com](mailto:sales@integrated-circuit.com)



REF. LAST 2 DIGITS OF PART NUMBER EQUALS CIRCUIT COUNT



PART NUMBER DATA										
CIRCUITS	PART NUMBER	ENGINEERING NUMBER	COLOR	A IN mm	B IN mm	C IN mm				
2	397100002	M753B-00-1-02-3	GREEN	.78	19.8	.197	5.00	.591	15.00	
3	397100003	M753B-00-1-03-3	GREEN	.98	24.8	.394	10.00	.787	20.01	
4	397100004	M753B-00-1-04-3	GREEN	1.17	29.8	.590	15.00	.984	25.00	
5	397100005	M753B-00-1-05-3	GREEN	1.37	34.8	.787	19.99	1.181	30.00	
6	397100006	M753B-00-1-06-3	GREEN	1.57	39.8	.984	24.99	1.378	35.00	
7	397100007	M753B-00-1-07-3	GREEN	1.76	44.8	1.181	29.99	1.575	40.00	
8	397100008	M753B-00-1-08-3	GREEN	1.96	49.8	1.378	34.99	1.772	45.00	
9	397100009	M753B-00-1-09-3	GREEN	2.16	54.8	1.574	39.99	1.969	50.00	
10	397100010	M753B-00-1-10-3	GREEN	2.35	59.8	1.771	44.99	2.165	55.00	
11	397100011	M753B-00-1-11-3	GREEN	2.55	64.8	1.968	49.99	2.362	60.00	
12	397100012	M753B-00-1-12-3	GREEN	2.75	69.8	2.165	54.99	2.559	65.00	
13		M753B-00-1-13-3	GREEN	2.95	74.8	2.362	59.98	2.756	70.00	
14		M753B-00-1-14-3	GREEN	3.14	79.8	2.558	64.98	2.953	75.00	
15		M753B-00-1-15-3	GREEN	3.34	84.8	2.755	69.98	3.150	80.00	
16		M753B-00-1-16-3	GREEN	3.54	89.8	2.952	74.98	3.346	85.00	
17		M753B-00-1-17-3	GREEN	3.73	94.8	3.149	79.98	3.543	90.00	
18		M753B-00-1-18-3	GREEN	3.93	99.8	3.346	84.98	3.740	95.00	
19		M753B-00-1-19-3	GREEN	4.13	104.8	3.542	89.98	3.937	100.00	
20		M753B-00-1-20-3	GREEN	4.32	109.8	3.739	94.98	4.134	105.00	
21		M753B-00-1-21-3	GREEN	4.52	114.8	3.936	99.97	4.331	110.00	
22		M753B-00-1-22-3	GREEN	4.72	119.8	4.133	104.97	4.528	115.00	
23		M753B-00-1-23-3	GREEN	4.91	124.8	4.330	109.97	4.724	120.00	
24		M753B-00-1-24-3	GREEN	5.11	129.8	4.526	114.97	4.921	125.00	

SPECIFICATIONS:

- MATERIAL:
  - A. BLOCK: STEEL ZINC PLATED
  - B. SCREW: M2.5, STEEL ZINC PLATED
  - C. BODY: PA66 UL94 V-0
  - D. CAM: STAINLESS STEEL
  - E. COVER: PA66 UL94 V-0
  - F. TERMINAL: BRASS TIN PLATED
  - G. MOUNTING SCREW: M2.5, STEEL ZINC PLATED
- WIRE SIZE: 30 TO 12AWG
- RATING: 15A AT 51-150V, 15A AT 151-300V
- MAX TORQUE: 3.5 IN. LBS. (.4 Nm)
- WIRE STRIP: .37 (9.5mm)
- DIELECTRIC VOLTAGE WITHSTAND: AC 2500V FOR 1 MINUTE
- INSULATION RESISTANCE: DC 500V, 500MΩ
- RATED IMPULSE VOLTAGE: 4000V, PLUS AND MINUS 5 TIMES EACH
- OPERATING TEMPERATURE: -40°C TO +105°C
- DIMS SHOWN ARE FOR REFERENCE ONLY

CONTACT FACTORY FOR OPTIONAL COLORS

RELEASED EC NO: JPC2014-1533 DRWN: RSTONE 2014/03/19 CHKD: --- APPR: JFMURPHY 2014/10/16 REV: A	QUALITY SYMBOL ▽=0 ▽=0	GENERAL TOLERANCES (UNLESS SPECIFIED)		DIMENSION STYLE		SCALE	DESIGN UNITS	THIRD ANGLE PROJECTION	
				IN/MM		---	METRIC		
		4 PLACES	±--	±--	DRAWN BY	DATE	TITLE		
		3 PLACES	±--	±.005	RSTONE	2014/03/17	TERMINAL PLUG, 5.0MM HORIZONTAL SCREW WITH MOUNTING ENDS		
2 PLACES	±.13	±.01	CHECKED BY	DATE	MOLEX INCORPORATED				
1 PLACE	±0.3	±--	APPROVED BY	DATE	MATERIAL NO. DOCUMENT NO. SHEET NO.				
ANGULAR ±--°		DRAFT WHERE APPLICABLE MUST REMAIN WITHIN DIMENSIONS		JFMURPHY	2014/10/16	SEE CHART SD-39710-001		1 OF 1	
						THIS DRAWING CONTAINS INFORMATION THAT IS PROPRIETARY TO MOLEX INCORPORATED AND SHOULD NOT BE USED WITHOUT WRITTEN PERMISSION			