

Excellent Integrated System Limited

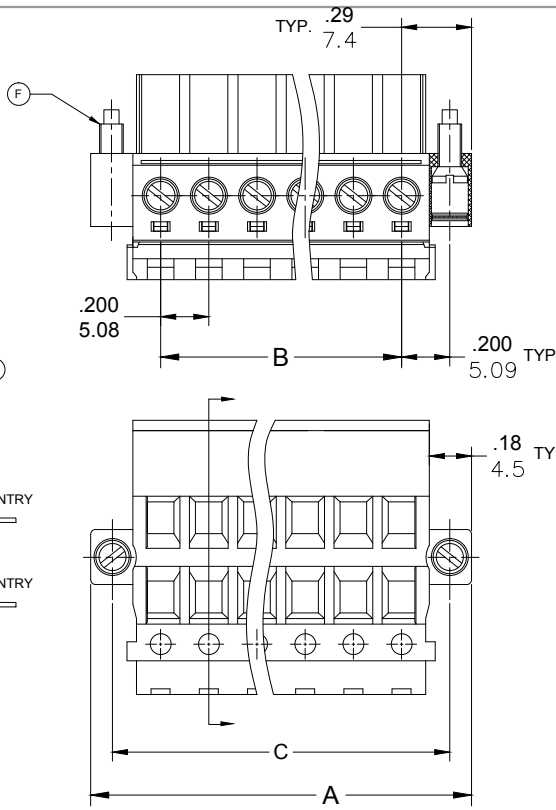
Stocking Distributor

Click to view price, real time Inventory, Delivery & Lifecycle Information:

[Molex Connector Corporation](#)
[0397160007](#)

For any questions, you can email us directly:

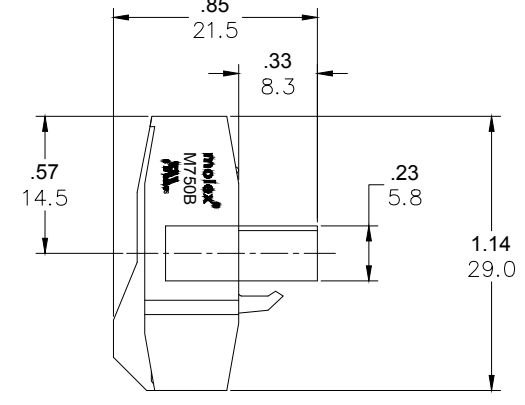
sales@integrated-circuit.com



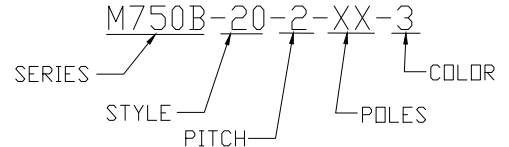
- SPECIFICATIONS**
- MATERIAL:**
 - A. BODY : PA66, UL94 V-0
 - B. SCREW: M3 STEEL, ZINC PLATED
 - C. COVER: PA66, UL94 V-0
 - D. CAGE: BRASS, NI PLATED
 - E. CONTACT: Cu ALLOY, TIN PLATED
 - F. MTG SCREW: M2.5, STEEL, ZINC PLATED
 - WIRE SIZE: 24~12AWG
 - RATING: 250V, 12A
 - MAX TORQUE: 4.9 IN LBS.
 - WIRE STRIP LENGTH: .39in. (10.0mm)
 - OPERATING TEMPERATURE: -40°C TO +105°C
 - DIMS SHOWN ARE FOR REFERENCE ONLY

PART NUMBER DATA						
CIRCUITS	PART NUMBER	ENGINEERING NUMBER	COLOR	A IN mm	B IN mm	C IN mm
2	397160002	M750B-20-2-02-3	GREEN	.78	19.8	.200
3	397160003	M750B-20-2-03-3	GREEN	.98	24.9	.400
4	397160004	M750B-20-2-04-3	GREEN	1.18	30.0	.600
5	397160005	M750B-20-2-05-3	GREEN	1.38	35.1	.800
6	397160006	M750B-20-2-06-3	GREEN	1.58	40.2	1.000
7	397160007	M750B-20-2-07-3	GREEN	1.78	45.2	1.200
8	397160008	M750B-20-2-08-3	GREEN	1.98	50.3	1.400
9	397160009	M750B-20-2-09-3	GREEN	2.18	55.4	1.600
10	397160010	M750B-20-2-10-3	GREEN	2.38	60.5	1.800
11	397160011	M750B-20-2-11-3	GREEN	2.58	65.6	2.000
12	397160012	M750B-20-2-12-3	GREEN	2.78	70.6	2.200

REF. LAST 2 DIGITS OF PART NUMBER EQUALS CIRCUIT COUNT



ENGINEERING NUMBER LEGEND



CONTACT FACTORY FOR OPTIONAL COLORS

RELEASED EC NO: JPC2014-176 DRWN: RSTONE 2014/04/24 CHKD: G FARNSW APPR: JFMURPHY 2014/10/16 A	QUALITY SYMBOL ▽=0 ▽=0	GENERAL TOLERANCES (UNLESS SPECIFIED)		DIMENSION STYLE IN/MM		SCALE ---	DESIGN UNITS METRIC	THIRD ANGLE PROJECTION	
		4 PLACES ±.1	±.01	DRAWN BY RSTONE	DATE 2014/04/24	TITLE: TERMINAL PLUG-HORIZ. 5.08MM, DBL WIRE ENTRY WITH MOUNTING ENDS			
		3 PLACES ±.1	±.005	CHECKED BY G FARNSW	DATE ---	MOLEX INCORPORATED			
		2 PLACES ±0.13	±.01	APPROVED BY JFMURPHY	DATE 2014/10/16	DOCUMENT NO. SD-39716-001			
		1 PLACE ±0.3	±.01	MATERIAL NO. SEE CHART		SHEET NO. 1 OF 1			
DRAFT WHERE APPLICABLE MUST REMAIN WITHIN DIMENSIONS				THIS DRAWING CONTAINS INFORMATION THAT IS PROPRIETARY TO MOLEX INCORPORATED AND SHOULD NOT BE USED WITHOUT WRITTEN PERMISSION					