

Excellent Integrated System Limited

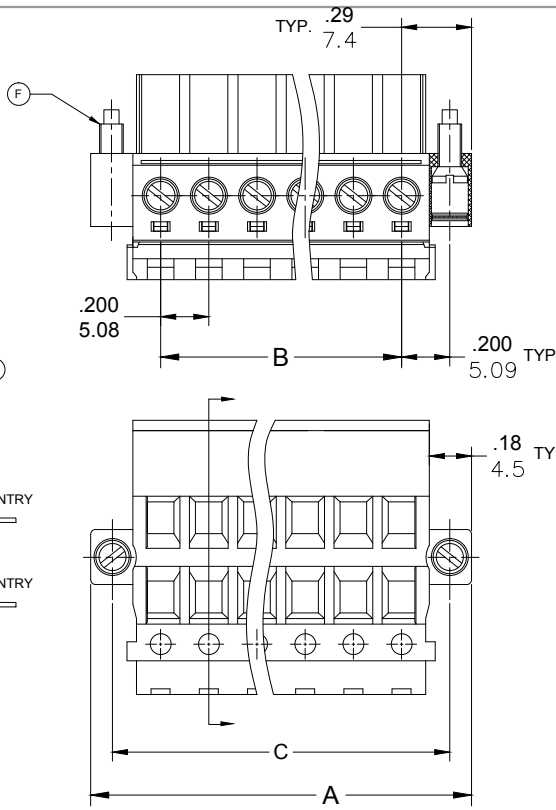
Stocking Distributor

Click to view price, real time Inventory, Delivery & Lifecycle Information:

[Molex Connector Corporation](#)
[0397160010](#)

For any questions, you can email us directly:

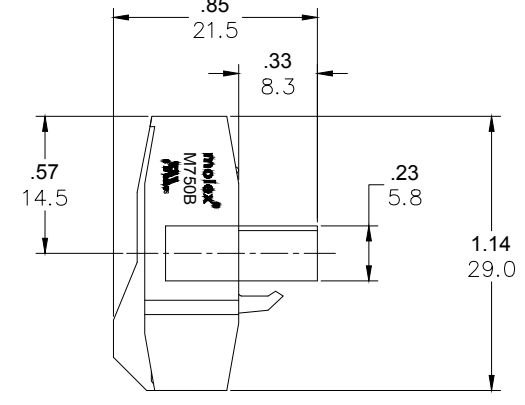
sales@integrated-circuit.com



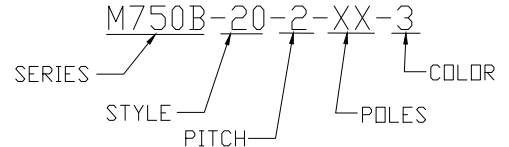
- SPECIFICATIONS**
- MATERIAL:**
 - A. BODY : PA66, UL94 V-0
 - B. SCREW: M3 STEEL, ZINC PLATED
 - C. COVER: PA66, UL94 V-0
 - D. CAGE: BRASS, NI PLATED
 - E. CONTACT: Cu ALLOY, TIN PLATED
 - F. MTG SCREW: M2.5, STEEL, ZINC PLATED
 - WIRE SIZE: 24~12AWG
 - RATING: 250V, 12A
 - MAX TORQUE: 4.9 IN LBS.
 - WIRE STRIP LENGTH: .39in. (10.0mm)
 - OPERATING TEMPERATURE: -40°C TO +105°C
 - DIMS SHOWN ARE FOR REFERENCE ONLY

| PART NUMBER DATA | | | | | | |
|------------------|-------------|--------------------|-------|---------|---------|---------|
| CIRCUITS | PART NUMBER | ENGINEERING NUMBER | COLOR | A IN mm | B IN mm | C IN mm |
| 2 | 397160002 | M750B-20-2-02-3 | GREEN | .78 | 19.8 | .200 |
| 3 | 397160003 | M750B-20-2-03-3 | GREEN | .98 | 24.9 | .400 |
| 4 | 397160004 | M750B-20-2-04-3 | GREEN | 1.18 | 30.0 | .600 |
| 5 | 397160005 | M750B-20-2-05-3 | GREEN | 1.38 | 35.1 | .800 |
| 6 | 397160006 | M750B-20-2-06-3 | GREEN | 1.58 | 40.2 | 1.000 |
| 7 | 397160007 | M750B-20-2-07-3 | GREEN | 1.78 | 45.2 | 1.200 |
| 8 | 397160008 | M750B-20-2-08-3 | GREEN | 1.98 | 50.3 | 1.400 |
| 9 | 397160009 | M750B-20-2-09-3 | GREEN | 2.18 | 55.4 | 1.600 |
| 10 | 397160010 | M750B-20-2-10-3 | GREEN | 2.38 | 60.5 | 1.800 |
| 11 | 397160011 | M750B-20-2-11-3 | GREEN | 2.58 | 65.6 | 2.000 |
| 12 | 397160012 | M750B-20-2-12-3 | GREEN | 2.78 | 70.6 | 2.200 |

REF. LAST 2 DIGITS OF PART NUMBER EQUALS CIRCUIT COUNT



ENGINEERING NUMBER LEGEND



CONTACT FACTORY FOR OPTIONAL COLORS

| | | | | | | | | | |
|---|------------------------------|---|-------|------------------------|---------------------------|--|---------------------|------------------------|--|
| RELEASED EC NO: JPC2014-176 DRWN: RSTONE 2014/04/24 CHKD: G FARNSW APPR: JFMURPHY 2014/10/16 A | QUALITY SYMBOL ▽=0 ▽=0 | GENERAL TOLERANCES (UNLESS SPECIFIED) | | DIMENSION STYLE IN/MM | | SCALE --- | DESIGN UNITS METRIC | THIRD ANGLE PROJECTION | |
| | | 4 PLACES ± | ± | DRAWN BY RSTONE | DATE 2014/04/24 | TITLE | | | |
| | | 3 PLACES ± | ±.005 | CHECKED BY G FARNSW | DATE --- | TERMINAL PLUG-HORIZ. 5.08MM, DBL WIRE ENTRY WITH MOUNTING ENDS | | | |
| | | 2 PLACES ±0.13 | ±.01 | APPROVED BY JFMURPHY | DATE 2014/10/16 | MOLEX INCORPORATED | | | |
| 1 PLACE ±0.3 | ± | ANGULAR ±° | | MATERIAL NO. SEE CHART | DOCUMENT NO. SD-39716-001 | SHEET NO. 1 OF 1 | | | |
| DRAFT WHERE APPLICABLE MUST REMAIN WITHIN DIMENSIONS | | THIS DRAWING CONTAINS INFORMATION THAT IS PROPRIETARY TO MOLEX INCORPORATED AND SHOULD NOT BE USED WITHOUT WRITTEN PERMISSION | | | | | | | |