

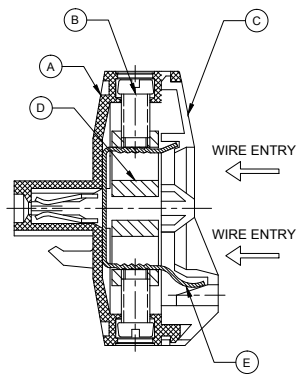
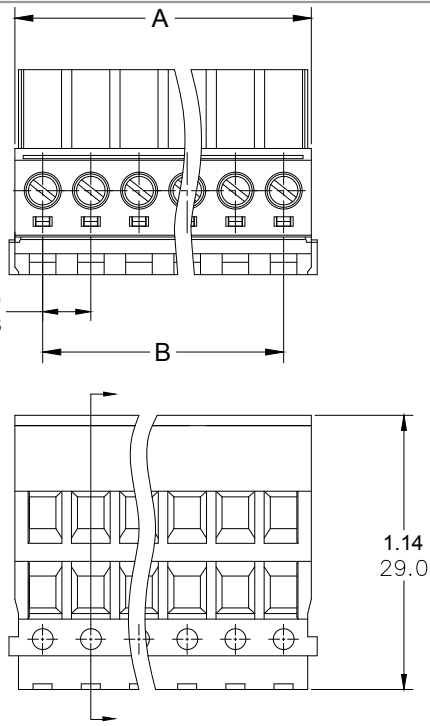
Excellent Integrated System Limited

Stocking Distributor

Click to view price, real time Inventory, Delivery & Lifecycle Information:

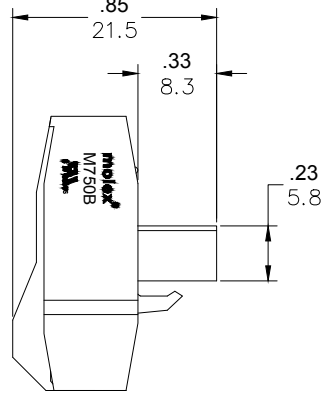
[Molex Connector Corporation](#)
[0397170011](#)

For any questions, you can email us directly:
sales@integrated-circuit.com

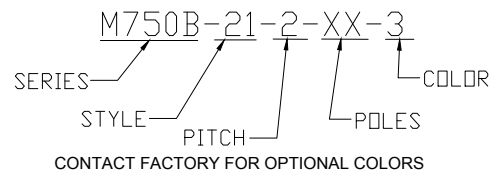


PART NUMBER DATA							
CIRCUITS	PART NUMBER	ENGINEERING NUMBER	COLOR	A IN mm	B IN mm		
2	397170002	M750B-21-2-02-3	GREEN	.43	10.9	.200	5.08
3	397170003	M750B-21-2-03-3	GREEN	.63	16.0	.400	10.16
4	397170004	M750B-21-2-04-3	GREEN	.83	21.1	.600	15.24
5	397170005	M750B-21-2-05-3	GREEN	1.03	26.2	.800	20.32
6	397170006	M750B-21-2-06-3	GREEN	1.23	31.2	1.000	25.40
7	397170007	M750B-21-2-07-3	GREEN	1.43	36.3	1.200	30.48
8	397170008	M750B-21-2-08-3	GREEN	1.63	41.4	1.400	35.56
9	397170009	M750B-21-2-09-3	GREEN	1.83	46.5	1.600	40.64
10	397170010	M750B-21-2-10-3	GREEN	2.03	51.6	1.800	45.72
11	397170011	M750B-21-2-11-3	GREEN	2.23	56.6	2.000	50.80
12	397170012	M750B-21-2-12-3	GREEN	2.43	61.7	2.200	55.88

REF. LAST 2 DIGITS OF PART NUMBER EQUALS CIRCUIT COUNT



ENGINEERING NUMBER LEGEND



SPECIFICATIONS

- MATERIAL:
 - A. BODY : PA66, UL94 V-0
 - B. SCREW: M3 STEEL, ZINC PLATED
 - C. COVER: PA66, UL94 V-0
 - D. CAGE: BRASS, NI PLATED
 - E. CONTACT: Cu ALLOY, TIN PLATED
- WIRE SIZE: 24~12AWG
- RATING: 250V, 12A
- MAX TORQUE: 4.9 IN LBS.
- WIRE STRIP LENGTH: .39in. (10.0mm)
- OPERATING TEMPERATURE: -40°C TO +105°C
- DIMS SHOWN ARE FOR REFERENCE ONLY

RELEASED EC NO: JPC2014-176 DRWN: RSTONE 2014/04/25 CHKD: G FARNSW APPR: JFMURPHY 2014/10/16 REV A	QUALITY SYMBOL	GENERAL TOLERANCES (UNLESS SPECIFIED)	DIMENSION STYLE	SCALE	DESIGN UNITS	THIRD ANGLE PROJECTION																						
	$\nabla=0$ $\sphericalangle=0$	<table border="1"> <tr><th colspan="2">mm</th><th colspan="2">INCH</th></tr> <tr><td>4 PLACES</td><td>±---</td><td>±---</td><td>±---</td></tr> <tr><td>3 PLACES</td><td>±---</td><td>±.005</td><td>±---</td></tr> <tr><td>2 PLACES</td><td>±0.13</td><td>±.01</td><td>±---</td></tr> <tr><td>1 PLACE</td><td>±0.3</td><td>±---</td><td>±---</td></tr> </table> ANGULAR ±---°	mm		INCH		4 PLACES	±---	±---	±---	3 PLACES	±---	±.005	±---	2 PLACES	±0.13	±.01	±---	1 PLACE	±0.3	±---	±---	IN/MM	---	METRIC	DRAWN BY: RSTONE DATE: 2014/04/24 CHECKED BY: G FARNSW DATE: --- APPROVED BY: JFMURPHY DATE: 2014/10/16	TITLE	TERMINAL PLUG-HORIZ. 5.08MM, DBL WIRE ENTRY
	mm		INCH																									
	4 PLACES	±---	±---	±---																								
3 PLACES	±---	±.005	±---																									
2 PLACES	±0.13	±.01	±---																									
1 PLACE	±0.3	±---	±---																									
DRAFT WHERE APPLICABLE MUST REMAIN WITHIN DIMENSIONS	SEE CHART	MATERIAL NO.	DOCUMENT NO.	SHEET NO.																								
				1 OF 1																								