

## Excellent Integrated System Limited

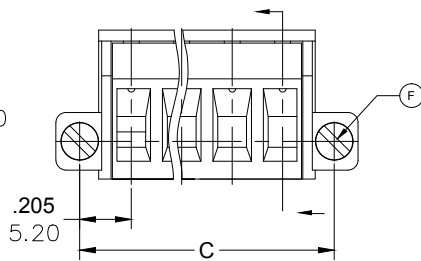
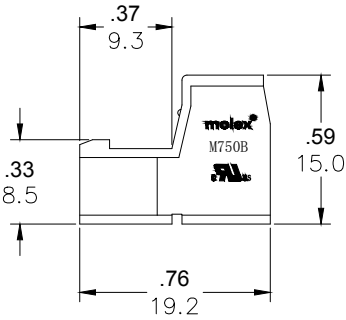
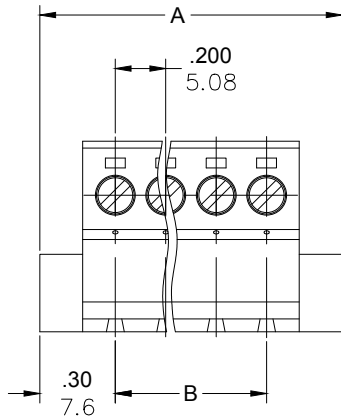
Stocking Distributor

Click to view price, real time Inventory, Delivery & Lifecycle Information:

[Molex Connector Corporation](#)  
[0397180004](#)

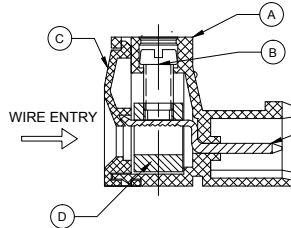
For any questions, you can email us directly:

[sales@integrated-circuit.com](mailto:sales@integrated-circuit.com)



PART NUMBER DATA									
CIRCUITS	PART NUMBER	ENGINEERING NUMBER	COLOR	A IN mm	B IN mm	C IN mm			
2	397180002	M750B-22-2-02-3	GREEN	.80	20.3	.200	5.08	.610	15.49
3	397180003	M750B-22-2-03-3	GREEN	1.00	25.3	.400	10.16	.810	20.57
4	397180004	M750B-22-2-04-3	GREEN	1.20	30.4	.600	15.24	1.010	25.65
5	397180005	M750B-22-2-05-3	GREEN	1.40	35.5	.800	20.32	1.210	30.73
6	397180006	M750B-22-2-06-3	GREEN	1.60	40.6	1.000	25.40	1.410	35.81
7	397180007	M750B-22-2-07-3	GREEN	1.80	45.7	1.200	30.48	1.610	40.89
8	397180008	M750B-22-2-08-3	GREEN	2.00	50.7	1.400	35.56	1.810	45.97
9	397180009	M750B-22-2-09-3	GREEN	2.20	55.8	1.600	40.64	2.010	51.05
10	397180010	M750B-22-2-10-3	GREEN	2.40	60.9	1.800	45.72	2.210	56.13
11	397180011	M750B-22-2-11-3	GREEN	2.60	66.0	2.000	50.80	2.410	61.21
12	397180012	M750B-22-2-12-3	GREEN	2.80	71.1	2.200	55.88	2.610	66.29
13		M750B-22-2-13-3	GREEN	3.00	76.1	2.400	60.96	2.810	71.37
14		M750B-22-2-14-3	GREEN	3.20	81.2	2.600	66.04	3.010	76.45
15		M750B-22-2-15-3	GREEN	3.40	86.3	2.800	71.12	3.210	81.53
16		M750B-22-2-16-3	GREEN	3.60	91.4	3.000	76.20	3.410	86.61
17		M750B-22-2-17-3	GREEN	3.80	96.5	3.200	81.28	3.610	91.69
18		M750B-22-2-18-3	GREEN	4.00	101.5	3.400	86.36	3.810	96.77
19		M750B-22-2-19-3	GREEN	4.20	106.6	3.600	91.44	4.010	101.85
20		M750B-22-2-20-3	GREEN	4.40	111.7	3.800	96.52	4.210	106.93
21		M750B-22-2-21-3	GREEN	4.60	116.8	4.000	101.59	4.410	112.01
22		M750B-22-2-22-3	GREEN	4.80	121.9	4.200	106.67	4.610	117.09
23		M750B-22-2-23-3	GREEN	5.00	126.9	4.400	111.75	4.810	122.17
24		M750B-22-2-24-3	GREEN	5.20	132.0	4.600	116.83	5.010	127.25

REF. LAST 2 DIGITS OF PART NUMBER EQUAL CIRCUIT COUNT



ENGINEERING NUMBER LEGEND

M750B-22-2-XX-3

SERIES — STYLE — PITCH — POLES — COLOR

CONTACT FACTORY FOR OPTIONAL COLORS

SPECIFICATIONS

1. MATERIAL:

- A. BODY : PA66, UL94 V-0
- B. SCREW: M3. 0, STEEL, ZINC PLATED
- C. COVER: PA66, UL94 V-0
- D. CAGE: BRASS, NI PLATED
- E. TERMINAL: BRASS, TIN PLATED
- F. SCREW: M2. 5, STEEL, ZINC PLATED

- 2. WIRE SIZE: 24 TO 12AWG
- 3. RATING: 250V, 12A
- 4. MAX TORQUE : 4.4 IN LBS.
- 5. WIRE STRIP LENGTH: .20 in. (5.0mm)
- 6. OPERATING TEMPERATURE: -40°C TO +105°C
- 7. DIMS. SHOWN ARE FOR REFERENCE ONLY

RELEASED EC NO: JPC2014-176 DRWN: RSTONE 2014/04/29 CHKD: G FARNSW APPR: JFMURPHY 2014/10/16 A	QUALITY SYMBOL ▽=0 ▽=0	GENERAL TOLERANCES (UNLESS SPECIFIED)		DIMENSION STYLE		SCALE	DESIGN UNITS	THIRD ANGLE PROJECTION	
		mm	INCH	IN/MM		---	METRIC		
		4 PLACES ±---	±---	DRAWN BY	DATE	TITLE			
		3 PLACES ±---	±.005	RSTONE	2014/04/29	RECEPTACLE PLUG-HORIZ 5.08MM WITH MOUNTING ENDS			
2 PLACES ±0.13	±.01	CHECKED BY	DATE	MOLEX INCORPORATED					
1 PLACE ±0.3	±---	APPROVED BY	DATE	MATERIAL NO.					
ANGULAR ±---	±---	JFMURPHY	2014/10/16	DOCUMENT NO.					
DRAFT WHERE APPLICABLE MUST REMAIN WITHIN DIMENSIONS		SEE CHART		SD-39718-001					
SIZE C		THIS DRAWING CONTAINS INFORMATION THAT IS PROPRIETARY TO MOLEX INCORPORATED AND SHOULD NOT BE USED WITHOUT WRITTEN PERMISSION							
						SHEET NO.		1 OF 1	