

Excellent Integrated System Limited

Stocking Distributor

Click to view price, real time Inventory, Delivery & Lifecycle Information:

[Molex Connector Corporation](#)
[0397240009](#)

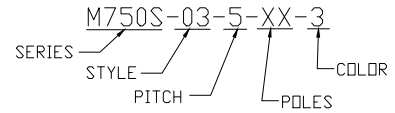
For any questions, you can email us directly:

sales@integrated-circuit.com

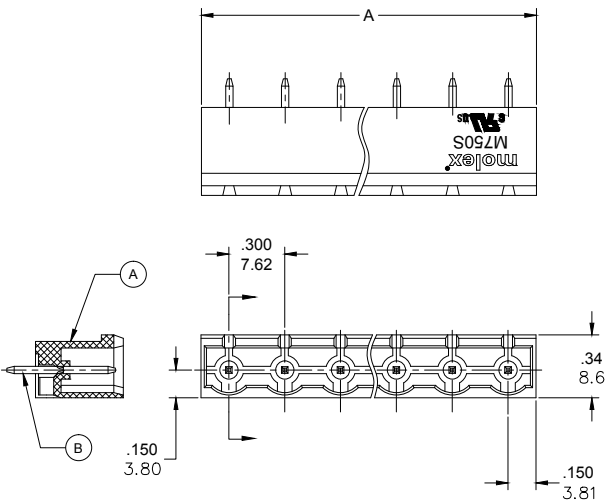
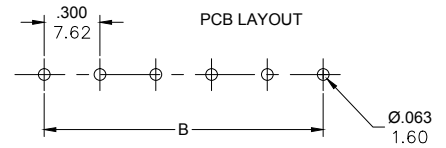
PART NUMBER DATA							
CIRCUITS	PART NUMBER	ENGINEERING NUMBER	COLOR	A IN mm	B IN mm		
2	397240002	M750S-03-5-02-3	GREEN	.60	15.2	.300	7.62
3	397240003	M750S-03-5-03-3	GREEN	.90	22.9	.600	15.24
4	397240004	M750S-03-5-04-3	GREEN	1.20	30.5	.900	22.86
5	397240005	M750S-03-5-05-3	GREEN	1.50	38.1	1.200	30.48
6	397240006	M750S-03-5-06-3	GREEN	1.80	45.7	1.500	38.10
7	397240007	M750S-03-5-07-3	GREEN	2.10	53.3	1.800	45.72
8	397240008	M750S-03-5-08-3	GREEN	2.40	61.0	2.100	53.34
9	397240009	M750S-03-5-09-3	GREEN	2.70	68.6	2.400	60.96
10	397240010	M750S-03-5-10-3	GREEN	3.00	76.2	2.700	68.58
11	397240011	M750S-03-5-11-3	GREEN	3.30	83.8	3.000	76.20
12	397240012	M750S-03-5-12-3	GREEN	3.60	91.4	3.300	83.82

REF. LAST 2 DIGITS OF PART NUMBER EQUALS NUMBER OF POLES

ENGINEERING NUMBER LEGEND



CONTACT FACTORY FOR OPTIONAL COLORS



SPECIFICATIONS:

- MATERIAL:
 - A. BODY: PA66, UL94 V-0
 - B. TERMINAL: BRASS, TIN PLATED
- RATING: 15A AT 51-150V, 10A AT 151 TO 300V
- OPERATING TEMPERATURE: -40°C + 105°C
- DIELECTRIC VOLTAGE WITHSTAND: AC 2500V FOR 1 MINUTE.
- INSULATION RESISTANCE: DC 500V, 500MΩ
- RATED IMPULSE VOLTAGE: 4000V, PLUS AND MINUS 5 TIMES EACH.
- MAX. SOLDERING TEMPERATURE: +260°C FOR 5 SEC.
- MATES WITH TERMINAL PLUG SERIES: 39704
- DIMS SHOWN ARE FOR REFERENCE ONLY

RELEASED EC NO: IPG/2014/1194 DRAWN: RSTONE 2014/01/23 CHECKED: G. FARNS APPR: JFMURPHY 2014/10/16	QUALITY SYMBOLS ▽=0 ∇=0	GENERAL TOLERANCES (UNLESS SPECIFIED)		DIMENSION STYLE IN/MM		SCALE	DESIGN UNITS	THIRD ANGLE PROJECTION
		4 PLACES ±--- ±--- 3 PLACES ±--- ±.005 2 PLACES ±0.13 ±.01 1 PLACE ±0.3 ±--- ANGULAR ±---°	DRAWN BY RSTONE 2014/01/23 CHECKED BY G. FARNS APPROVED BY JFMURPHY 2014/10/16	DRAWN BY RSTONE 2014/01/23 CHECKED BY G. FARNS APPROVED BY JFMURPHY 2014/10/16	TITLE: 7.62MM EURO HEADER VERTICAL, CLOSED END MOLEX INCORPORATED SEE CHART THIS DRAWING CONTAINS INFORMATION THAT IS PROPRIETARY TO MOLEX INCORPORATED AND SHOULD NOT BE USED WITHOUT WRITTEN PERMISSION	MOLEX INCORPORATED SD-39724-001 1 OF 1		