

Excellent Integrated System Limited

Stocking Distributor

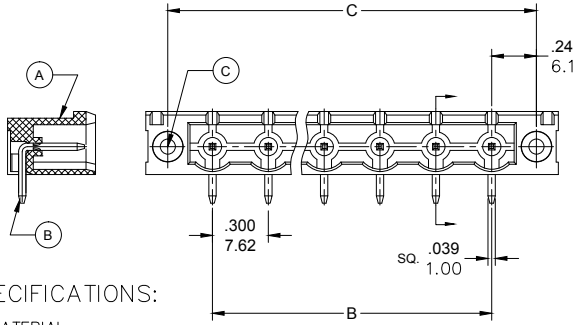
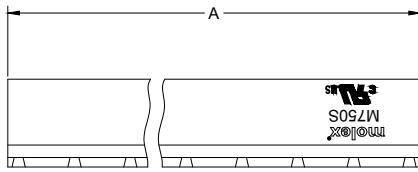
Click to view price, real time Inventory, Delivery & Lifecycle Information:

[Molex Connector Corporation](#)
[0397250003](#)

For any questions, you can email us directly:
sales@integrated-circuit.com

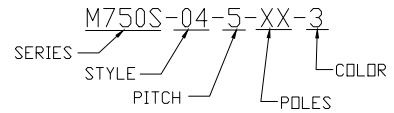
PART NUMBER DATA

CIRCUITS	PART NUMBER	ENGINEERING NUMBER	COLOR	A IN mm		B IN mm		C IN mm	
2	397250002	M750S-04-5-02-3	GREEN	1.32	33.4	.300	7.62	0.78	19.8
3	397250003	M750S-04-5-03-3	GREEN	1.62	41.1	.600	15.24	1.08	27.4
4	397250004	M750S-04-5-04-3	GREEN	1.92	48.7	.900	22.86	1.38	35.1
5	397250005	M750S-04-5-05-3	GREEN	2.22	56.3	1.200	30.48	1.68	42.7
6	397250006	M750S-04-5-06-3	GREEN	2.52	63.9	1.500	38.10	1.98	50.3
7	397250007	M750S-04-5-07-3	GREEN	2.82	71.5	1.800	45.72	2.28	57.9
8	397250008	M750S-04-5-08-3	GREEN	3.12	79.2	2.100	53.34	2.58	65.5
9	397250009	M750S-04-5-09-3	GREEN	3.42	86.8	2.400	60.96	2.88	73.1
10	397250010	M750S-04-5-10-3	GREEN	3.72	94.4	2.700	68.58	3.18	80.8
11	397250011	M750S-04-5-11-3	GREEN	4.02	102.0	3.000	76.20	3.48	88.4
12	397250012	M750S-04-5-12-3	GREEN	4.32	109.6	3.300	83.82	3.78	96.0

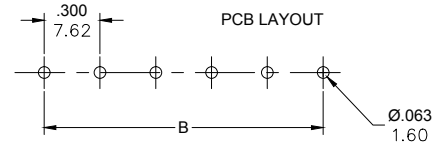


REF. LAST 2 DIGITS OF PART NUMBER EQUALS NUMBER OF POLES

ENGINEERING NUMBER LEGEND



CONTACT FACTORY FOR OPTIONAL COLORS



SPECIFICATIONS:

- MATERIAL:
 - A. BODY: PA66, UL94 V-0
 - B. TERMINAL: BRASS, TIN PLATED
 - C. THREADED INSERT: M2.5, BRASS
- RATING: 15A AT 51-150V, 10A AT 151 TO 300V
- OPERATING TEMPERATURE: -40°C + 105°C
- DIELECTRIC VOLTAGE WITHSTAND: AC 2500V FOR 1 MINUTE.
- INSULATION RESISTANCE: DC 500V, 500MΩ
- RATED IMPULSE VOLTAGE: 4000V, PLUS AND MINUS 5 TIMES EACH.
- MAX. SOLDERING TEMPERATURE: +260°C FOR 5 SEC.
- MATES WITH TERMINAL PLUG SERIES: 39705
- DIMS SHOWN ARE FOR REFERENCE ONLY

RELEASED EC NO: IPG/2014/1194 DRAWN: RSTONE 2014/01/24 CHECKED: G. FARNS APPR: JFMURPHY 2014/10/16 DESIGNED BY: JFMURPHY	QUALITY SYMBOLS ∇=0 ∠=0	GENERAL TOLERANCES (UNLESS SPECIFIED) 4 PLACES ±.--- ±.--- 3 PLACES ±.--- ±.005 2 PLACES ±0.13 ±.01 1 PLACE ±0.3 ±.--- ANGULAR ±.---°	DIMENSION STYLE IN/MM DRAWN BY DATE RSTONE 2014/01/23 CHECKED BY DATE G. FARNS APPROVED BY DATE JFMURPHY 2014/10/16 MATERIAL NO. SEE CHART	SCALE --- DESIGN UNITS METRIC THIRD ANGLE PROJECTION	TITLE 7.62MM EURO HEADER RIGHT ANGLE WITH MOUNTING ENDS MOLEX INCORPORATED DOCUMENT NO. SD-39725-001 SHEET NO. 1 OF 1
	DRAFT WHERE APPLICABLE MUST REMAIN WITHIN DIMENSIONS THIS DRAWING CONTAINS INFORMATION THAT IS PROPRIETARY TO MOLEX INCORPORATED AND SHOULD NOT BE USED WITHOUT WRITTEN PERMISSION				