

Excellent Integrated System Limited

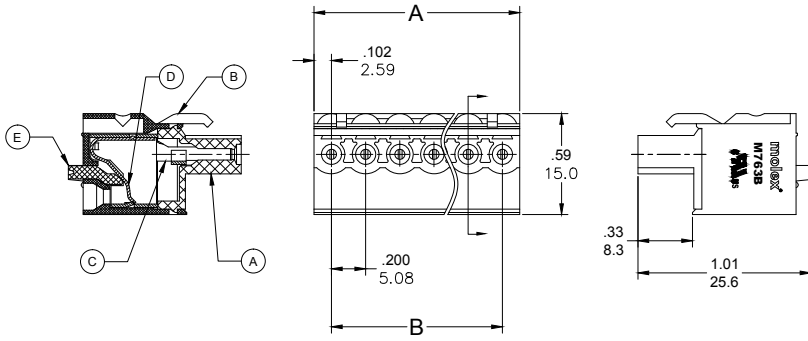
Stocking Distributor

Click to view price, real time Inventory, Delivery & Lifecycle Information:

[Molex Connector Corporation](#)
[0397270005](#)

For any questions, you can email us directly:

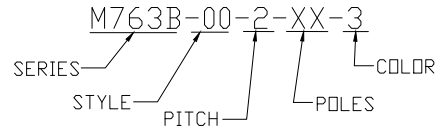
sales@integrated-circuit.com



PART NUMBER DATA							
CIRCUITS	PART NUMBER	ENGINEERING NUMBER	COLOR	A IN mm	B IN mm		
2	397270002	M763B-00-2-02-3	GREEN	.40	10.3	.200	5.08
3	397270003	M763B-00-2-03-3	GREEN	.60	15.3	.400	10.15
4	397270004	M763B-00-2-04-3	GREEN	.80	20.4	.600	15.23
5	397270005	M763B-00-2-05-3	GREEN	1.00	25.5	.800	20.31
6	397270006	M763B-00-2-06-3	GREEN	1.20	30.6	1.000	25.39
7	397270007	M763B-00-2-07-3	GREEN	1.40	35.6	1.199	30.46
8	397270008	M763B-00-2-08-3	GREEN	1.60	40.7	1.399	35.54
9	397270009	M763B-00-2-09-3	GREEN	1.80	45.8	1.599	40.62
10	397270010	M763B-00-2-10-3	GREEN	2.00	50.9	1.799	45.70
11	397270011	M763B-00-2-11-3	GREEN	2.20	56.0	1.999	50.77
12	397270012	M763B-00-2-12-3	GREEN	2.40	61.0	2.199	55.85
13		M763B-00-2-13-3	GREEN	2.60	66.1	2.399	60.93
14		M763B-00-2-14-3	GREEN	2.80	71.2	2.599	66.01
15		M763B-00-2-15-3	GREEN	3.00	76.3	2.799	71.08
16		M763B-00-2-16-3	GREEN	3.20	81.3	2.999	76.16
17		M763B-00-2-17-3	GREEN	3.40	86.4	3.198	81.24
18		M763B-00-2-18-3	GREEN	3.60	91.5	3.398	86.32
19		M763B-00-2-19-3	GREEN	3.80	96.6	3.598	91.39
20		M763B-00-2-20-3	GREEN	4.00	101.7	3.798	96.47
21		M763B-00-2-21-3	GREEN	4.20	106.7	3.998	101.55
22		M763B-00-2-22-3	GREEN	4.40	111.8	4.198	106.63
23		M763B-00-2-23-3	GREEN	4.60	116.9	4.398	111.70
24		M763B-00-2-24-3	GREEN	4.80	122.0	4.598	116.78

REF. LAST 2 DIGITS OF PART NUMBER EQUALS CIRCUIT COUNT

ENGINEERING NUMBER LEGEND



CONTACT FACTORY FOR OPTIONAL COLORS

SPECIFICATIONS:

- MATERIAL:
 - A. BODY1: PA66 UL94 V-0
 - B. BODY2: PA66 UL94 V-0
 - C. TERMINAL: BRASS TIN PLATED
 - D. SPRING: STAINLESS STEEL
 - E. BUTTON: PA66 UL94 V-0
- WIRE SIZE: 24 TO 12AWG
- RATING: 250V, 12A
- WIRE STRIP LENGTH: .39IN. (10.0mm)
- DIELECTRIC VOLTAGE WITHSTAND: AC 2500V FOR 1 MINUTE
- INSULATION RESISTANCE: DC 500V, 500MΩ
- RATED IMPULSE VOLTAGE: 4000V, PLUS AND MINUS 5 TIMES EACH
- OPERATING TEMPERATURE: -40°C TO +105°C
- DIMS. SHOWN ARE FOR REFERENCE ONLY

RELEASED EC NO: JPC2014-176 DRWN: RSTONE CHKD: G FARNSW APPR: JFMURPHY 2014/05/02 2014/10/16	QUALITY SYMBOL ▽=0 ▽=0	GENERAL TOLERANCES (UNLESS SPECIFIED)		DIMENSION STYLE IN/MM		SCALE ---	DESIGN UNITS METRIC	THIRD ANGLE PROJECTION	
		4 PLACES	±	±	DRAWN BY RSTONE	DATE 2014/05/02	TITLE PLUG, HORIZONTAL WIRE TRAP, 5.08MM		
		3 PLACES	±	±	CHECKED BY G FARNSW	DATE ---	MOLEX INCORPORATED		
		2 PLACES	±0.13	±.005	APPROVED BY JFMURPHY	DATE 2014/10/16	MATERIAL NO. SEE CHART	DOCUMENT NO. SD-39727-001	SHEET NO. 1 OF 1
ANGULAR ±°		DRAFT WHERE APPLICABLE MUST REMAIN WITHIN DIMENSIONS							
SIZE C		THIS DRAWING CONTAINS INFORMATION THAT IS PROPRIETARY TO MOLEX INCORPORATED AND SHOULD NOT BE USED WITHOUT WRITTEN PERMISSION							