

Excellent Integrated System Limited

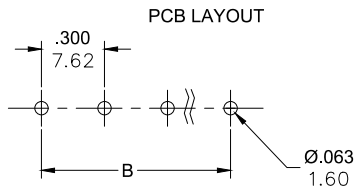
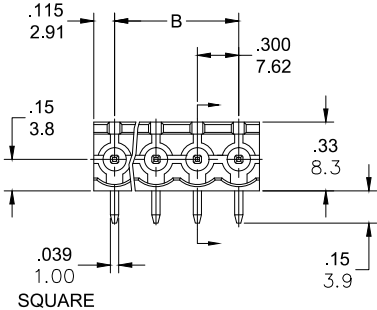
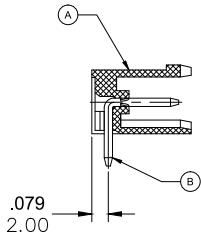
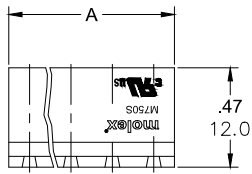
Stocking Distributor

Click to view price, real time Inventory, Delivery & Lifecycle Information:

[Molex Connector Corporation](#)
[0397300002](#)

For any questions, you can email us directly:

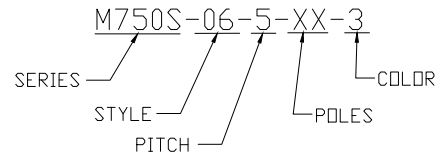
sales@integrated-circuit.com



PART NUMBER DATA							
CIRCUITS	PART NUMBER	ENGINEERING NUMBER	COLOR	A IN mm		B IN mm	
2	397300002	M750S-06-5-02-3	GREEN	.53	13.4	.300	7.62
3	397300003	M750S-06-5-03-3	GREEN	.83	21.1	.600	15.24
4	397300004	M750S-06-5-04-3	GREEN	1.13	28.7	.900	22.86
5	397300005	M750S-06-5-05-3	GREEN	1.43	36.3	1.200	30.48
6	397300006	M750S-06-5-06-3	GREEN	1.73	43.9	1.500	38.10
7	397300007	M750S-06-5-07-3	GREEN	2.03	51.5	1.800	45.72
8	397300008	M750S-06-5-08-3	GREEN	2.33	59.2	2.100	53.34
9	397300009	M750S-06-5-09-3	GREEN	2.63	66.8	2.400	60.96
10	397300010	M750S-06-5-10-3	GREEN	2.93	74.4	2.700	68.58
11	397300011	M750S-06-5-11-3	GREEN	3.23	82.0	3.000	76.20
12	397300012	M750S-06-5-12-3	GREEN	3.53	89.6	3.300	83.82

REF. LAST 2 DIGITS OF PART NUMBER EQUALS NUMBER OF POLES

ENGINEERING NUMBER LEGEND



CONTACT FACTORY FOR OPTIONAL COLORS

SPECIFICATIONS:

- MATERIAL:
 - A. BODY: PA66, UL94 V-0
 - B. TERMINAL: BRASS, TIN PLATED
- RATING: 15A AT 51-150V, 10A AT 151-300V
- OPERATING TEMPERATURE: -40°C + 105°C
- DIELECTRIC VOLTAGE WITHSTAND: AC 2500V FOR 1 MINUTE
- INSULATION RESISTANCE: DC 500V, 500MΩ
- RATED IMPULSE VOLTAGE: 4000V, PLUS AND MINUS 5 TIMES EACH
- MAX SOLDERING TEMP: 260°C (500°F) FOR 5 SECONDS
- DIMS SHOWN ARE FOR REFERENCE ONLY

RELEASED EC NO: JPC2014-1533 DRWN: RSTONE 2014/03/21 CHKD: G FARNSW APPR: JFMURPHY 2014/10/16 A	QUALITY SYMBOL ▽=0 ▽=0	GENERAL TOLERANCES (UNLESS SPECIFIED)		DIMENSION STYLE IN/MM		SCALE ---	DESIGN UNITS METRIC	THIRD ANGLE PROJECTION	
		4 PLACES	±---	±---	DRAWN BY RSTONE	DATE 2014/03/21	TITLE 7.62MM EURO HEADER HORIZONTAL OPEN ENDS		
		3 PLACES	±---	±.005	CHECKED BY G FARNSW	DATE ---	MOLEX INCORPORATED		
		2 PLACES	±0.13	±.01	APPROVED BY JFMURPHY	DATE 2014/10/16	MATERIAL NO.	DOCUMENT NO. SD-39730-001	SHEET NO. 1 OF 1
DRAFT WHERE APPLICABLE MUST REMAIN WITHIN DIMENSIONS		ANGULAR ±---°		SEE CHART		THIS DRAWING CONTAINS INFORMATION THAT IS PROPRIETARY TO MOLEX INCORPORATED AND SHOULD NOT BE USED WITHOUT WRITTEN PERMISSION			