

Excellent Integrated System Limited

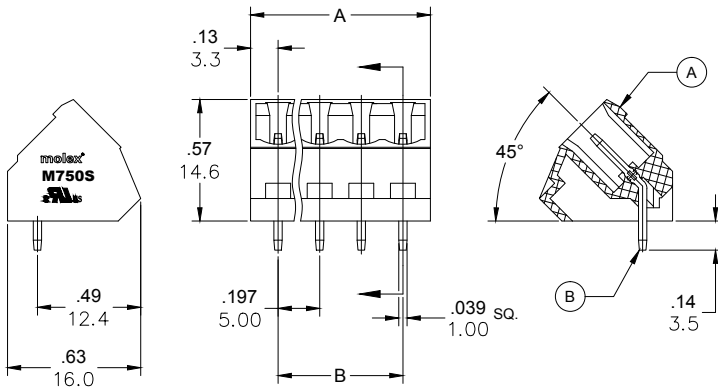
Stocking Distributor

Click to view price, real time Inventory, Delivery & Lifecycle Information:

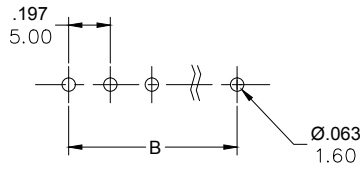
[Molex Connector Corporation](#)
[0397320002](#)

For any questions, you can email us directly:

sales@integrated-circuit.com



PCB LAYOUT



SPECIFICATIONS:

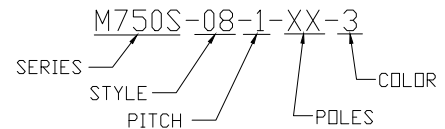
- MATERIAL:
 - A. BODY: PA66 UL94 V-0
 - B. TERMINAL: BRASS TIN PLATED
- RATING: 15A AT 51-150V, 10A AT 151-300V
- DIELECTRIC VOLTAGE WITHSTAND: AC 2500V FOR 1 MINUTE.
- INSULATION RESISTANCE: DC 500V, 500MΩ
- RATED IMPULSE VOLTAGE: 4000V, PLUS AND MINUS 5 TIMES EACH.
- OPERATING TEMPERATURE: -40°C TO +105°C
- MAX SOLDERING TEMP: 260°C (500°F) FOR 5 SECONDS
- DIMS. SHOWN ARE FOR REFERENCE ONLY

PART NUMBER DATA

CIRCUITS	PART NUMBER	ENGINEERING NUMBER	COLOR	A IN mm		B IN mm	
2	397320002	M750S-08-1-02-3	GREEN	.46	11.6	.197	5.00
3	397320003	M750S-08-1-03-3	GREEN	.65	16.6	.394	10.00
4	397320004	M750S-08-1-04-3	GREEN	.85	21.6	.591	15.00
5	397320005	M750S-08-1-05-3	GREEN	1.05	26.6	.787	20.00
6	397320006	M750S-08-1-06-3	GREEN	1.24	31.6	.984	25.00
7	397320007	M750S-08-1-07-3	GREEN	1.44	36.6	1.181	30.00
8	397320008	M750S-08-1-08-3	GREEN	1.64	41.6	1.378	35.00
9	397320009	M750S-08-1-09-3	GREEN	1.84	46.6	1.575	40.00
10	397320010	M750S-08-1-10-3	GREEN	2.03	51.6	1.772	45.00
11	397320011	M750S-08-1-11-3	GREEN	2.23	56.6	1.969	50.00
12	397320012	M750S-08-1-12-3	GREEN	2.43	61.6	2.165	55.00
13		M750S-08-1-13-3	GREEN	2.62	66.6	2.362	60.00
14		M750S-08-1-14-3	GREEN	2.82	71.6	2.559	65.00
15		M750S-08-1-15-3	GREEN	3.02	76.6	2.756	70.00
16		M750S-08-1-16-3	GREEN	3.21	81.6	2.953	75.00
17		M750S-08-1-17-3	GREEN	3.41	86.6	3.150	80.00
18		M750S-08-1-18-3	GREEN	3.61	91.6	3.346	85.00
19		M750S-08-1-19-3	GREEN	3.80	96.6	3.543	90.00
20		M750S-08-1-20-3	GREEN	4.00	101.6	3.740	95.00
21		M750S-08-1-21-3	GREEN	4.20	106.6	3.937	100.00
22		M750S-08-1-22-3	GREEN	4.39	111.6	4.134	105.00
23		M750S-08-1-23-3	GREEN	4.59	116.6	4.331	110.00
24		M750S-08-1-24-3	GREEN	4.79	121.6	4.528	115.00

REF. LAST 2 DIGITS OF PART NUMBER EQUAL NUMBER OF POLES

ENGINEERING NUMBER LEGEND



CONTACT FACTORY FOR OPTIONAL COLORS

RELEASED EC NO: JPC2014-1533 DRWN: RSTONE 2014/04/02 CHKD: G FARNSW APPR: JFMURPHY 2014/10/16 A	QUALITY SYMBOL ▽=0 ▽=0	GENERAL TOLERANCES (UNLESS SPECIFIED)		DIMENSION STYLE IN/MM		SCALE	DESIGN UNITS	THIRD ANGLE PROJECTION																
		<table border="1"> <tr><th></th><th>mm</th><th>INCH</th></tr> <tr><td>4 PLACES</td><td>±---</td><td>±---</td></tr> <tr><td>3 PLACES</td><td>±---</td><td>±.005</td></tr> <tr><td>2 PLACES</td><td>±0.13</td><td>±.01</td></tr> <tr><td>1 PLACE</td><td>±0.3</td><td>±---</td></tr> </table>			mm	INCH	4 PLACES	±---	±---	3 PLACES	±---	±.005	2 PLACES	±0.13	±.01	1 PLACE	±0.3	±---	DRAWN BY DATE RSTONE 2014/04/02		TITLE	5.00MM EURO HEADER 45 DEGREE CLOSED ENDS ----	MOLEX INCORPORATED	SHEET NO. 1 OF 1
			mm	INCH																				
		4 PLACES	±---	±---																				
3 PLACES	±---	±.005																						
2 PLACES	±0.13	±.01																						
1 PLACE	±0.3	±---																						
ANGULAR ±1°		CHECKED BY DATE G FARNSW ---		APPROVED BY DATE JFMURPHY 2014/10/16	DOCUMENT NO. SD-39732-001																			
DRAFT WHERE APPLICABLE MUST REMAIN WITHIN DIMENSIONS		MATERIAL NO. SEE CHART		THIS DRAWING CONTAINS INFORMATION THAT IS PROPRIETARY TO MOLEX INCORPORATED AND SHOULD NOT BE USED WITHOUT WRITTEN PERMISSION																				