

Excellent Integrated System Limited

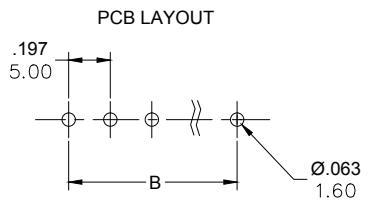
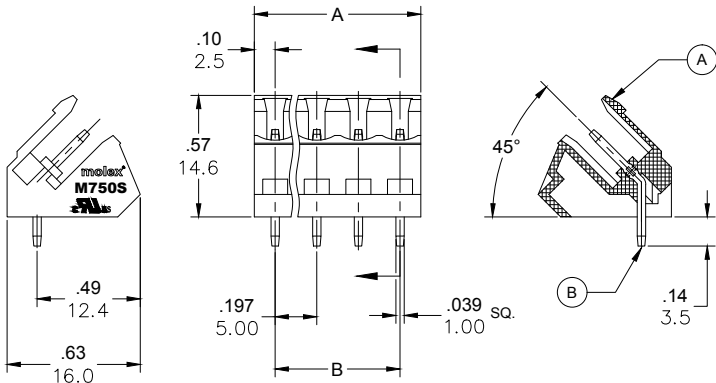
Stocking Distributor

Click to view price, real time Inventory, Delivery & Lifecycle Information:

[Molex Connector Corporation](#)
[0397330002](#)

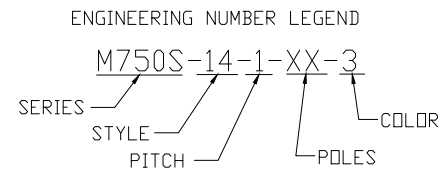
For any questions, you can email us directly:

sales@integrated-circuit.com



PART NUMBER DATA							
CIRCUITS	PART NUMBER	ENGINEERING NUMBER	COLOR	A IN mm		B IN mm	
2	397330002	M750S-14-1-02-3	GREEN	.39	10.0	.197	5.00
3	397330003	M750S-14-1-03-3	GREEN	.59	15.0	.394	10.00
4	397330004	M750S-14-1-04-3	GREEN	.79	20.0	.591	15.00
5	397330005	M750S-14-1-05-3	GREEN	.98	25.0	.787	20.00
6	397330006	M750S-14-1-06-3	GREEN	1.18	30.0	.984	25.00
7	397330007	M750S-14-1-07-3	GREEN	1.38	35.0	1.181	30.00
8	397330008	M750S-14-1-08-3	GREEN	1.57	40.0	1.378	35.00
9	397330009	M750S-14-1-09-3	GREEN	1.77	45.0	1.575	40.00
10	397330010	M750S-14-1-10-3	GREEN	1.97	50.0	1.772	45.00
11	397330011	M750S-14-1-11-3	GREEN	2.17	55.0	1.969	50.00
12	397330012	M750S-14-1-12-3	GREEN	2.36	60.0	2.165	55.00
13		M750S-14-1-13-3	GREEN	2.56	65.0	2.362	60.00
14		M750S-14-1-14-3	GREEN	2.76	70.0	2.559	65.00
15		M750S-14-1-15-3	GREEN	2.95	75.0	2.756	70.00
16		M750S-14-1-16-3	GREEN	3.15	80.0	2.953	75.00
17		M750S-14-1-17-3	GREEN	3.35	85.0	3.150	80.00
18		M750S-14-1-18-3	GREEN	3.54	90.0	3.346	85.00
19		M750S-14-1-19-3	GREEN	3.74	95.0	3.543	90.00
20		M750S-14-1-20-3	GREEN	3.94	100.0	3.740	95.00
21		M750S-14-1-21-3	GREEN	4.13	105.0	3.937	100.00
22		M750S-14-1-22-3	GREEN	4.33	110.0	4.134	105.00
23		M750S-14-1-23-3	GREEN	4.53	115.0	4.331	110.00
24		M750S-14-1-24-3	GREEN	4.72	120.0	4.528	115.00

REF. LAST 2 DIGITS OF PART NUMBER EQUAL NUMBER OF POLES



CONTACT FACTORY FOR OPTIONAL COLORS

SPECIFICATIONS:

- MATERIAL:
 - A. BODY: PA66 UL94 V-0
 - B. TERMINAL: BRASS TIN PLATED
- RATING: 15A AT 51-150V, 10A AT 151V-300V
- DIELECTRIC VOLTAGE WITHSTAND: AC 2500V FOR 1 MINUTE
- INSULATION RESISTANCE: DC 500V, 500MΩ
- RATED IMPULSE VOLTAGE: 4000V, PLUS AND MINUS 5 TIMES EACH
- OPERATING TEMPERATURE: -40°C TO +105°C
- MAX SOLDERING TEMP: 260°C (500°F) FOR 5 SECONDS
- DIMS. SHOWN ARE FOR REFERENCE ONLY

RELEASED EC NO: JPC2014-1533 DRWN: RSTONE 2014/04/02 CHKD: G FARNSW APPR: JFMURPHY 2014/10/16 REV A	QUALITY SYMBOL ▽=0 ▽=0	GENERAL TOLERANCES (UNLESS SPECIFIED)		DIMENSION STYLE IN/MM		SCALE ---	DESIGN UNITS METRIC	THIRD ANGLE PROJECTION	
		4 PLACES ±— ±—	3 PLACES ±— ±.005	2 PLACES ±0.13 ±.01	1 PLACE ±0.3 ±—	ANGULAR ±1°	DRAWN BY RSTONE	DATE 2014/04/02	TITLE 5.00MM EURO HEADER 45 DEGREE OPEN ENDS
		DRAFT WHERE APPLICABLE MUST REMAIN WITHIN DIMENSIONS			SEE CHART		CHECKED BY G FARNSW	DATE ---	MOLEX INCORPORATED
		MATERIAL NO. SD-39733-001		DOCUMENT NO. SD-39733-001		SHEET NO. 1 OF 1		THIS DRAWING CONTAINS INFORMATION THAT IS PROPRIETARY TO MOLEX INCORPORATED AND SHOULD NOT BE USED WITHOUT WRITTEN PERMISSION	