

Excellent Integrated System Limited

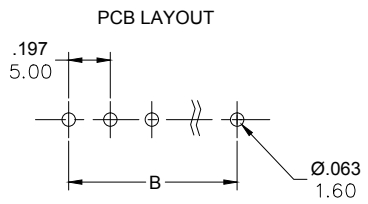
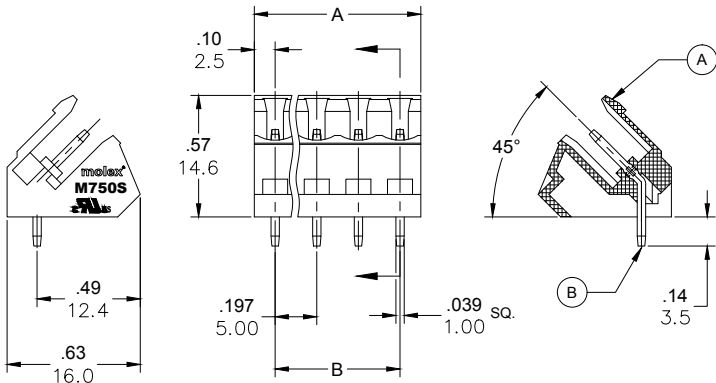
Stocking Distributor

Click to view price, real time Inventory, Delivery & Lifecycle Information:

[Molex Connector Corporation](#)
[0397330006](#)

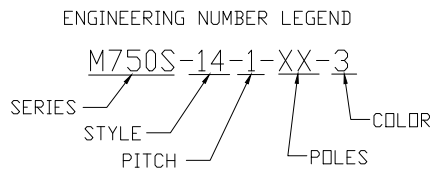
For any questions, you can email us directly:

sales@integrated-circuit.com



PART NUMBER DATA							
CIRCUITS	PART NUMBER	ENGINEERING NUMBER	COLOR	A IN mm		B IN mm	
2	397330002	M750S-14-1-02-3	GREEN	.39	10.0	.197	5.00
3	397330003	M750S-14-1-03-3	GREEN	.59	15.0	.394	10.00
4	397330004	M750S-14-1-04-3	GREEN	.79	20.0	.591	15.00
5	397330005	M750S-14-1-05-3	GREEN	.98	25.0	.787	20.00
6	397330006	M750S-14-1-06-3	GREEN	1.18	30.0	.984	25.00
7	397330007	M750S-14-1-07-3	GREEN	1.38	35.0	1.181	30.00
8	397330008	M750S-14-1-08-3	GREEN	1.57	40.0	1.378	35.00
9	397330009	M750S-14-1-09-3	GREEN	1.77	45.0	1.575	40.00
10	397330010	M750S-14-1-10-3	GREEN	1.97	50.0	1.772	45.00
11	397330011	M750S-14-1-11-3	GREEN	2.17	55.0	1.969	50.00
12	397330012	M750S-14-1-12-3	GREEN	2.36	60.0	2.165	55.00
13		M750S-14-1-13-3	GREEN	2.56	65.0	2.362	60.00
14		M750S-14-1-14-3	GREEN	2.76	70.0	2.559	65.00
15		M750S-14-1-15-3	GREEN	2.95	75.0	2.756	70.00
16		M750S-14-1-16-3	GREEN	3.15	80.0	2.953	75.00
17		M750S-14-1-17-3	GREEN	3.35	85.0	3.150	80.00
18		M750S-14-1-18-3	GREEN	3.54	90.0	3.346	85.00
19		M750S-14-1-19-3	GREEN	3.74	95.0	3.543	90.00
20		M750S-14-1-20-3	GREEN	3.94	100.0	3.740	95.00
21		M750S-14-1-21-3	GREEN	4.13	105.0	3.937	100.00
22		M750S-14-1-22-3	GREEN	4.33	110.0	4.134	105.00
23		M750S-14-1-23-3	GREEN	4.53	115.0	4.331	110.00
24		M750S-14-1-24-3	GREEN	4.72	120.0	4.528	115.00

REF. LAST 2 DIGITS OF PART NUMBER EQUAL NUMBER OF POLES



CONTACT FACTORY FOR OPTIONAL COLORS

SPECIFICATIONS:

- MATERIAL:
 - A. BODY: PA66 UL94 V-0
 - B. TERMINAL: BRASS TIN PLATED
- RATING: 15A AT 51-150V, 10A AT 151V-300V
- DIELECTRIC VOLTAGE WITHSTAND: AC 2500V FOR 1 MINUTE
- INSULATION RESISTANCE: DC 500V, 500MΩ
- RATED IMPULSE VOLTAGE: 4000V, PLUS AND MINUS 5 TIMES EACH
- OPERATING TEMPERATURE: -40°C TO +105°C
- MAX SOLDERING TEMP: 260°C (500°F) FOR 5 SECONDS
- DIMS. SHOWN ARE FOR REFERENCE ONLY

RELEASED EC NO: JPC2014-1533 DRWN: RSTONE 2014/04/02 CHKD: G FARNSW APPR: JFMURPHY 2014/10/16 REV A	QUALITY SYMBOL ▽=0 ▽=0	GENERAL TOLERANCES (UNLESS SPECIFIED) mm INCH 4 PLACES ±.01 ±.005 3 PLACES ±.01 ±.005 2 PLACES ±.013 ±.01 1 PLACE ±.03 ±.01 ANGULAR ±1°	DIMENSION STYLE IN/MM DRAWN BY DATE RSTONE 2014/04/02 CHECKED BY DATE G FARNSW --- APPROVED BY DATE JFMURPHY 2014/10/16	SCALE --- DESIGN UNITS METRIC THIRD ANGLE PROJECTION	TITLE 5.00MM EURO HEADER 45 DEGREE OPEN ENDS --- MOLEX INCORPORATED MATERIAL NO. SEE CHART DOCUMENT NO. SD-39733-001 SHEET NO. 1 OF 1
		DRAFT WHERE APPLICABLE MUST REMAIN WITHIN DIMENSIONS		THIS DRAWING CONTAINS INFORMATION THAT IS PROPRIETARY TO MOLEX INCORPORATED AND SHOULD NOT BE USED WITHOUT WRITTEN PERMISSION	
		DRAFT WHERE APPLICABLE MUST REMAIN WITHIN DIMENSIONS		THIS DRAWING CONTAINS INFORMATION THAT IS PROPRIETARY TO MOLEX INCORPORATED AND SHOULD NOT BE USED WITHOUT WRITTEN PERMISSION	
		DRAFT WHERE APPLICABLE MUST REMAIN WITHIN DIMENSIONS		THIS DRAWING CONTAINS INFORMATION THAT IS PROPRIETARY TO MOLEX INCORPORATED AND SHOULD NOT BE USED WITHOUT WRITTEN PERMISSION	