

Excellent Integrated System Limited

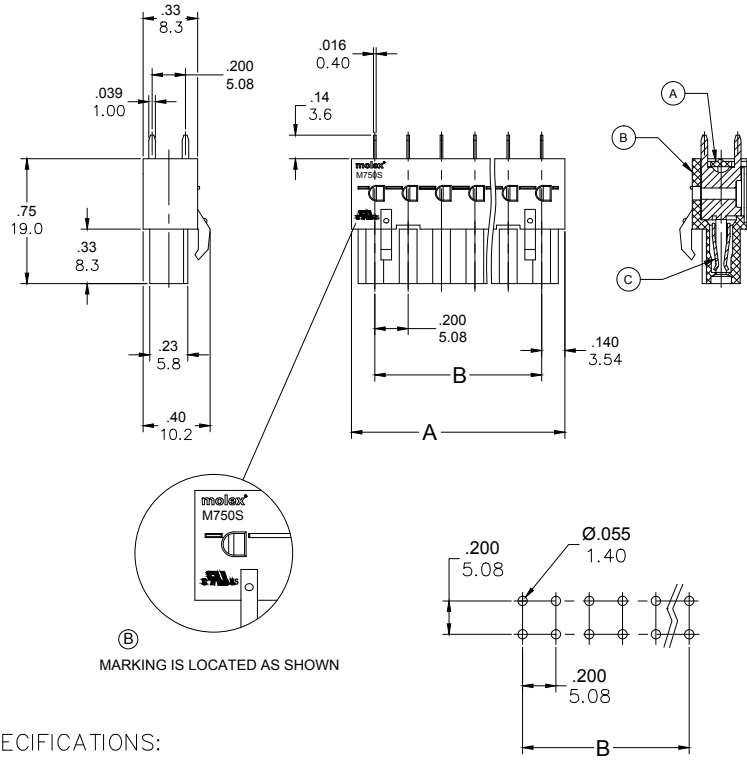
Stocking Distributor

Click to view price, real time Inventory, Delivery & Lifecycle Information:

[Molex Connector Corporation](#)
[0397350002](#)

For any questions, you can email us directly:

sales@integrated-circuit.com



MARKING IS LOCATED AS SHOWN

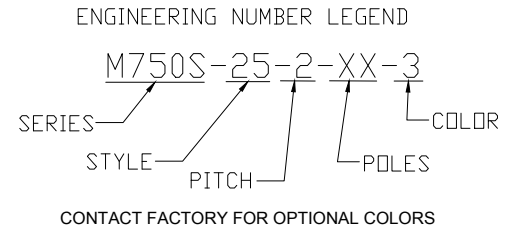
PCB LAYOUT

SPECIFICATIONS:

- MATERIAL:
 - A. COVER: PA66 UL94 V-0
 - B. BODY: PA66, UL94 V-0
 - C. TERMINAL: BRASS TIN PLATED
- RATING: 250V, 12A
- DIELECTRIC VOLTAGE WITHSTAND: AC 2500V FOR 1 MINUTE
- INSULATION RESISTANCE: DC 500V, 500MΩ
- RATED IMPULSE VOLTAGE: 4000V, PLUS AND MINUS 5 TIMES EACH
- OPERATING TEMPERATURE: -40°C TO +105°C
- MAX SOLDERING TEMP: 260°C (500°F) FOR 5 SECONDS
- DIMS. SHOWN ARE FOR REFERENCE ONLY

PART NUMBER DATA						
CIRCUITS	PART NUMBER	ENGINEERING NUMBER	COLOR	A IN mm	B IN mm	
2	397350002	M750S-25-2-02-3	GREEN	.48	12.2	.200 5.08
3	397350003	M750S-25-2-03-3	GREEN	.68	17.2	.400 10.16
4	397350004	M750S-25-2-04-3	GREEN	.88	22.3	.600 15.24
5	397350005	M750S-25-2-05-3	GREEN	1.08	27.4	.800 20.32
6	397350006	M750S-25-2-06-3	GREEN	1.28	32.5	1.000 25.40
7	397350007	M750S-25-2-07-3	GREEN	1.48	37.6	1.200 30.48
8	397350008	M750S-25-2-08-3	GREEN	1.68	42.6	1.400 35.56
9	397350009	M750S-25-2-09-3	GREEN	1.88	47.7	1.600 40.64
10	397350010	M750S-25-2-10-3	GREEN	2.08	52.8	1.800 45.72
11	397350011	M750S-25-2-11-3	GREEN	2.28	57.9	2.000 50.80
12	397350012	M750S-25-2-12-3	GREEN	2.48	63.0	2.200 55.88
13		M750S-25-2-13-3	GREEN	2.68	68.0	2.400 60.96
14		M750S-25-2-14-3	GREEN	2.88	73.1	2.600 66.04
15		M750S-25-2-15-3	GREEN	3.08	78.2	2.800 71.12
16		M750S-25-2-16-3	GREEN	3.28	83.3	3.000 76.20
17		M750S-25-2-17-3	GREEN	3.48	88.4	3.200 81.28
18		M750S-25-2-18-3	GREEN	3.68	93.4	3.400 86.36
19		M750S-25-2-19-3	GREEN	3.88	98.5	3.600 91.44
20		M750S-25-2-20-3	GREEN	4.08	103.6	3.800 96.52
21		M750S-25-2-21-3	GREEN	4.28	108.7	4.000 101.59
22		M750S-25-2-22-3	GREEN	4.48	113.8	4.200 106.67
23		M750S-25-2-23-3	GREEN	4.68	118.8	4.400 111.75
24		M750S-25-2-24-3	GREEN	4.88	123.9	4.600 116.83

REF. LAST 2 DIGITS OF PART NUMBER EQUAL CIRCUIT COUNT



REVD MARKING POSITION EC NO: IPC2016-0437 DRWN: RSTONE 9/21/15 CHKD: GARDEN 20/10/28 APPR: JFMURPHY 20/10/16	QUALITY SYMBOL ▽=0 ▽=0	GENERAL TOLERANCES (UNLESS SPECIFIED)		DIMENSION STYLE IN/MM		SCALE: ---	DESIGN UNITS: METRIC	THIRD ANGLE PROJECTION	
		4 PLACES	±---	±---	DRAWN BY: RSTONE	DATE: 2014/04/30	TITLE: HEADER, VERTICAL MALE, 5.08MM		
		3 PLACES	±---	±.005	CHECKED BY: G FARNSW	DATE: ---	MOLEX INCORPORATED		
		2 PLACES	±0.13	±.01	APPROVED BY: JFMURPHY	DATE: 2014/10/16	MATERIAL NO. SD-39735-001		
1 PLACE	±0.3	±---	ANGULAR ±---		SEE CHART		DOCUMENT NO. SD-39735-001	SHEET NO. 1 OF 1	
DRAFT WHERE APPLICABLE MUST REMAIN WITHIN DIMENSIONS				THIS DRAWING CONTAINS INFORMATION THAT IS PROPRIETARY TO MOLEX INCORPORATED AND SHOULD NOT BE USED WITHOUT WRITTEN PERMISSION					