

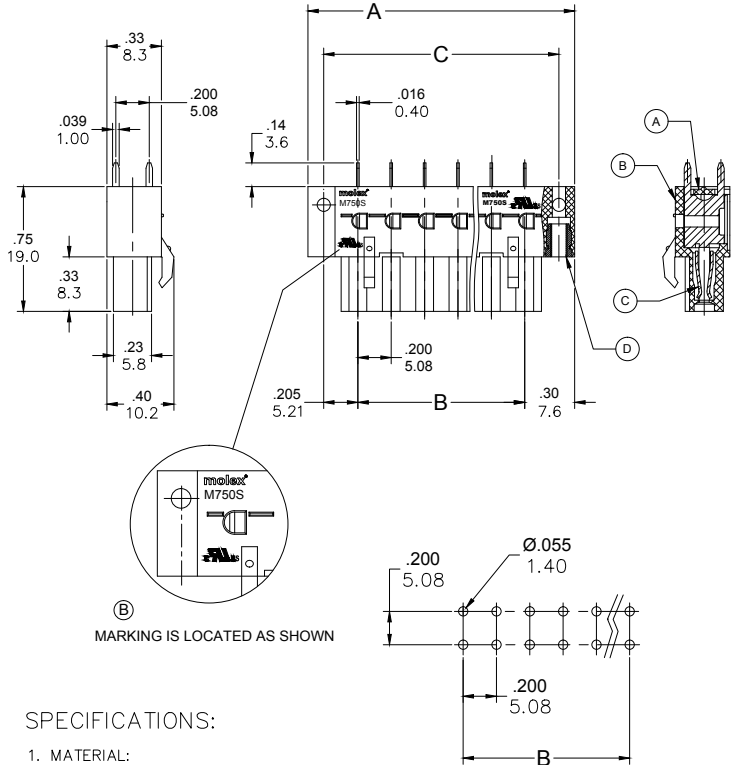
Excellent Integrated System Limited

Stocking Distributor

Click to view price, real time Inventory, Delivery & Lifecycle Information:

[Molex Connector Corporation](#)
[0397370007](#)

For any questions, you can email us directly:
sales@integrated-circuit.com



MARKING IS LOCATED AS SHOWN

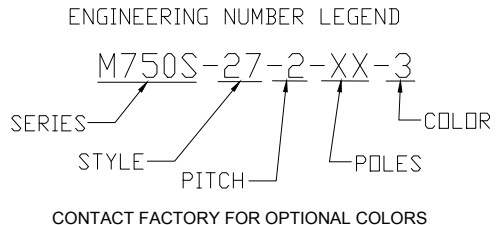
PCB LAYOUT

SPECIFICATIONS:

- MATERIAL:
 - A. COVER: PA66 UL94 V-0
 - B. BODY: PA66, UL94 V-0
 - C. TERMINAL: BRASS TIN PLATED
 - D. INSERT: M2.5, BRASS
- RATING: 250V, 12A
- DIELECTRIC VOLTAGE WITHSTAND: AC 2500V FOR 1 MINUTE
- INSULATION RESISTANCE: DC 500V, 500MΩ
- RATED IMPULSE VOLTAGE: 4000V, PLUS AND MINUS 5 TIMES EACH
- OPERATING TEMPERATURE: -40°C TO +105°C
- MAX SOLDERING TEMP: 260°C (500°F) FOR 5 SECONDS
- DIMS. SHOWN ARE FOR REFERENCE ONLY

PART NUMBER DATA							
CIRCUITS	PART NUMBER	ENGINEERING NUMBER	COLOR	A IN mm	B IN mm	C IN mm	
2	397370002	M750S-27-2-02-3	GREEN	.80	20.3	.200 5.08	.610 15.49
3	397370003	M750S-27-2-03-3	GREEN	1.00	25.4	.400 10.16	.810 20.57
4	397370004	M750S-27-2-04-3	GREEN	1.20	30.4	.600 15.24	1.010 25.65
5	397370005	M750S-27-2-05-3	GREEN	1.40	35.5	.800 20.32	1.210 30.73
6	397370006	M750S-27-2-06-3	GREEN	1.60	40.6	1.000 25.40	1.410 35.81
7	397370007	M750S-27-2-07-3	GREEN	1.80	45.7	1.200 30.48	1.610 40.89
8	397370008	M750S-27-2-08-3	GREEN	2.00	50.8	1.400 35.56	1.810 45.97
9	397370009	M750S-27-2-09-3	GREEN	2.20	55.8	1.600 40.64	2.010 51.05
10	397370010	M750S-27-2-10-3	GREEN	2.40	60.9	1.800 45.72	2.210 56.13
11	397370011	M750S-27-2-11-3	GREEN	2.60	66.0	2.000 50.80	2.410 61.21
12	397370012	M750S-27-2-12-3	GREEN	2.80	71.1	2.200 55.88	2.610 66.29
13		M750S-27-2-13-3	GREEN	3.00	76.2	2.400 60.96	2.810 71.37
14		M750S-27-2-14-3	GREEN	3.20	81.2	2.600 66.04	3.010 76.45
15		M750S-27-2-15-3	GREEN	3.40	86.3	2.800 71.12	3.210 81.53
16		M750S-27-2-16-3	GREEN	3.60	91.4	3.000 76.20	3.410 86.61
17		M750S-27-2-17-3	GREEN	3.80	96.5	3.200 81.28	3.610 91.69
18		M750S-27-2-18-3	GREEN	4.00	101.6	3.400 86.36	3.810 96.77
19		M750S-27-2-19-3	GREEN	4.20	106.6	3.600 91.44	4.010 101.85
20		M750S-27-2-20-3	GREEN	4.40	111.7	3.800 96.52	4.210 106.93
21		M750S-27-2-21-3	GREEN	4.60	116.8	4.000 101.59	4.410 112.01
22		M750S-27-2-22-3	GREEN	4.80	121.9	4.200 106.67	4.610 117.09
23		M750S-27-2-23-3	GREEN	5.00	127.0	4.400 111.75	4.810 122.17
24		M750S-27-2-24-3	GREEN	5.20	132.0	4.600 116.83	5.010 127.25

REF. LAST 2 DIGITS OF PART NUMBER EQUAL CIRCUIT COUNT



CONTACT FACTORY FOR OPTIONAL COLORS

REVD MARKING POSITION EC NO: PC2016-0437 DRWN: RSTONE CHKD: GARDEN APPR: JFMURPHY 2014/10/16	QUALITY SYMBOL ▽=0 ▽=0	GENERAL TOLERANCES (UNLESS SPECIFIED)	DIMENSION STYLE IN/MM	SCALE ---	DESIGN UNITS METRIC	THIRD ANGLE PROJECTION															
		<table border="1"> <tr><th>PLACES</th><th>mm</th><th>INCH</th></tr> <tr><td>4 PLACES</td><td>±---</td><td>±---</td></tr> <tr><td>3 PLACES</td><td>±---</td><td>±.005</td></tr> <tr><td>2 PLACES</td><td>±0.13</td><td>±.01</td></tr> <tr><td>1 PLACE</td><td>±0.3</td><td>±---</td></tr> </table>	PLACES	mm	INCH	4 PLACES	±---	±---	3 PLACES	±---	±.005	2 PLACES	±0.13	±.01	1 PLACE	±0.3	±---	DRAWN BY: RSTONE DATE: 2014/04/30	TITLE: HEADER, VERTICAL MALE, 5.08MM WITH MOUNTING ENDS		
		PLACES	mm	INCH																	
		4 PLACES	±---	±---																	
3 PLACES	±---	±.005																			
2 PLACES	±0.13	±.01																			
1 PLACE	±0.3	±---																			
DRAFT WHERE APPLICABLE MUST REMAIN WITHIN DIMENSIONS	CHECKED BY: G FARNSW DATE: ---	MOLEX INCORPORATED																			
SEE CHART	APPROVED BY: JFMURPHY DATE: 2014/10/16	MATERIAL NO. SEE CHART	DOCUMENT NO. SD-39737-001	SHEET NO. 1 OF 1																	