

Excellent Integrated System Limited

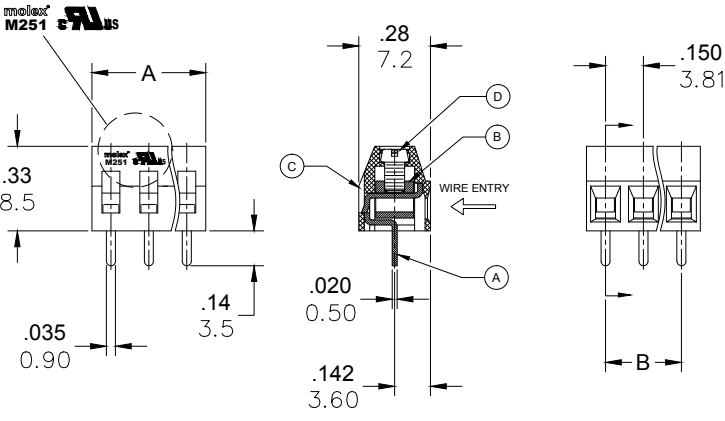
Stocking Distributor

Click to view price, real time Inventory, Delivery & Lifecycle Information:

[Molex Connector Corporation](#)
[0397400012](#)

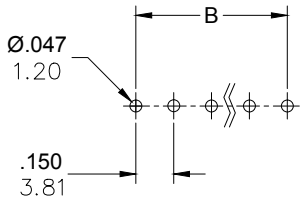
For any questions, you can email us directly:

sales@integrated-circuit.com



PART NUMBER DATA							
CIRCUITS	PART NUMBER	ENGINEERING NUMBER	COLOR	A IN mm	B IN mm		
2	397400002	M251-02-02-3	GREEN	.30	7.6	.150	3.81
3	397400003	M251-02-03-3	GREEN	.45	11.4	.300	7.62
4	397400004	M251-02-04-3	GREEN	.60	15.2	.450	11.43
5	397400005	M251-02-05-3	GREEN	.75	19.0	.600	15.24
6	397400006	M251-02-06-3	GREEN	.90	22.9	.750	19.05
7	397400007	M251-02-07-3	GREEN	1.05	26.7	.900	22.86
8	397400008	M251-02-08-3	GREEN	1.20	30.5	1.050	26.67
9	397400009	M251-02-09-3	GREEN	1.35	34.3	1.200	30.48
10	397400010	M251-02-10-3	GREEN	1.50	38.1	1.350	34.29
11	397400011	M251-02-11-3	GREEN	1.65	41.9	1.500	38.10
12	397400012	M251-02-12-3	GREEN	1.80	45.7	1.650	41.91
13		M251-02-13-3	GREEN	1.95	49.5	1.800	45.72
14		M251-02-14-3	GREEN	2.10	53.3	1.950	49.53
15		M251-02-15-3	GREEN	2.25	57.1	2.100	53.34
16		M251-02-16-3	GREEN	2.40	61.0	2.250	57.15
17		M251-02-17-3	GREEN	2.55	64.8	2.400	60.96
18		M251-02-18-3	GREEN	2.70	68.6	2.550	64.77
19		M251-02-19-3	GREEN	2.85	72.4	2.700	68.58
20		M251-02-20-3	GREEN	3.00	76.2	2.850	72.39
21		M251-02-21-3	GREEN	3.15	80.0	3.000	76.19
22		M251-02-22-3	GREEN	3.30	83.8	3.150	80.00
23		M251-02-23-3	GREEN	3.45	87.6	3.300	83.81
24		M251-02-24-3	GREEN	3.60	91.4	3.450	87.62

REF. LAST 2 DIGITS OF PART NUMBER EQUAL CIRCUIT COUNT

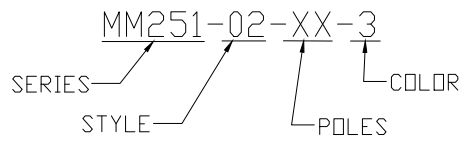


PCB LAYOUT

SPECIFICATIONS:

- MATERIAL:
 - A. TERMINAL: BRASS TIN PLATED
 - B. CAGE: BRASS NICKEL PLATED
 - C. BODY: PA66 UL94 V-0
 - D. SCREW: M2 STEEL ZINC PLATED
- RATING: 300V, 10A
- MAX TORQUE: 2.1 LB-IN.
- WIRE RANGE: 30-16 AWG
- WIRE STRIP: .18 IN (4.5mm)
- DIELECTRIC VOLTAGE WITHSTAND: AC 2000V FOR 1 MINUTE
- INSULATION RESISTANCE: DC 500V, 500MΩ
- RATED IMPULSE VOLTAGE: 4000V PLUS AND MINUS 5 TIMES EACH
- OPERATING TEMPERATURE: -40°C TO +105°C
- MAX. SOLDERING TEMP: 260°C (500°F) FOR 5 SECONDS
- DIMS SHOWN ARE FOR REFERENCE ONLY

ENGINEERING NUMBER LEGEND



CONTACT FACTORY FOR OPTIONAL COLORS

RELEASED EC NO: JPC2014-1936 DRWN: RSTONE 2014/05/08 CHKD: G FARNSW APPR: JFMURPHY 2014/10/16 REV A	QUALITY SYMBOL ▽=0 ▽=0	GENERAL TOLERANCES (UNLESS SPECIFIED) mm INCH 4 PLACES ±.13 ±.01 3 PLACES ±.13 ±.01 2 PLACES ±.13 ±.01 1 PLACE ±.13 ±.01 ANGULAR ±.5°	DIMENSION STYLE IN/MM DRAWN BY: RSTONE DATE: 2014/05/08 CHECKED BY: G FARNSW DATE: --- APPROVED BY: JFMURPHY DATE: 2014/10/16	SCALE: --- DESIGN UNITS: METRIC THIRD ANGLE PROJECTION	TITLE: EURO TERMINAL BLOCK VERTICAL 3.81MM MOLEX INCORPORATED MATERIAL NO. SEE CHART DOCUMENT NO. SD-39740-001 SHEET NO. 1 OF 1
	DRAFT WHERE APPLICABLE MUST REMAIN WITHIN DIMENSIONS				
	THIS DRAWING CONTAINS INFORMATION THAT IS PROPRIETARY TO MOLEX INCORPORATED AND SHOULD NOT BE USED WITHOUT WRITTEN PERMISSION				
	SIZE C				