

Excellent Integrated System Limited

Stocking Distributor

Click to view price, real time Inventory, Delivery & Lifecycle Information:

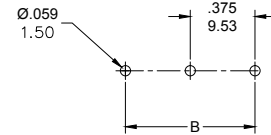
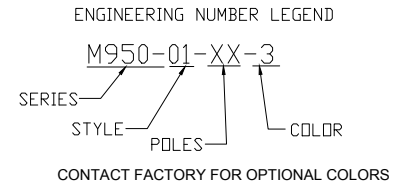
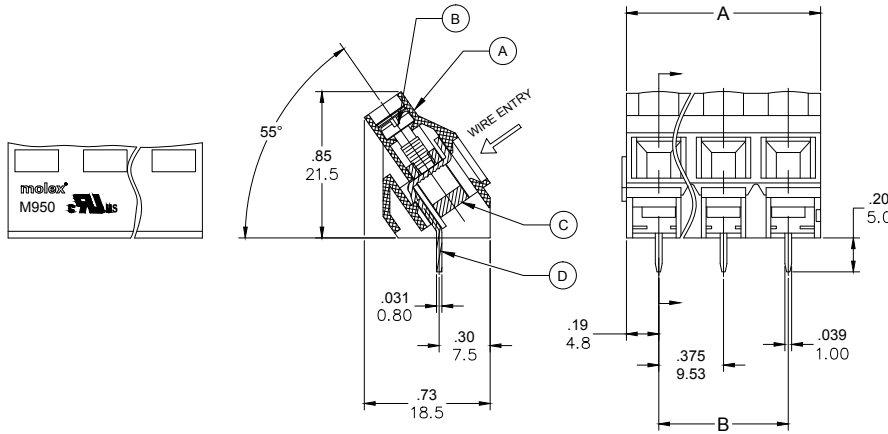
[Molex Connector Corporation](#)
[0397450003](#)

For any questions, you can email us directly:

sales@integrated-circuit.com

PART NUMBER DATA							
CIRCUITS	PART NUMBER	ENGINEERING NUMBER	COLOR	A IN mm		B IN mm	
2	397450002	M950-01-02-3	GREEN	.75	19.1	.375	9.53
3	397450003	M950-01-03-3	GREEN	1.13	28.6	.750	19.05

REF. LAST 2 DIGITS OF PART NUMBER EQUAL CIRCUIT COUNT



SPECIFICATIONS:

- MATERIAL:
 - BODY: PA66, UL94 V-0
 - SCREW: M3, STEEL ZINC PLATED
 - CAGE: BRASS, NI PLATED
 - TERMINAL: BRASS, TIN PLATED
- RATING: 300V, 30A
- MAX TORQUE: 4.5 LBF. IN.
- WIRE RANGE: 30-10 AWG
- WIRE STRIP: .30 IN, (7.5mm)
- DIELECTRIC VOLTAGE WITHSTAND: AC 2500V FOR 1 MINUTE.
- INSULATION RESISTANCE: DC 500V, 500MΩ
- RATED IMPULSE VOLTAGE: 4000V, PLUS AND MINUS 5 TIMES EACH
- OPERATING TEMPERATURE: -40°C TO +105°C
- MAX. SOLDERING TEMP: 250°C (500°F) FOR 5 SECONDS
- DIMS. SHOWN ARE FOR REFERENCE ONLY

EC NO: JPC2014-1936 DRWN: RSTONE 2014/06/27 CHKD: G FARNSW APPR: JFMURPHY 2014/10/16 REV A	QUALITY SYMBOL ▽=0 ▽=0	GENERAL TOLERANCES (UNLESS SPECIFIED) <table border="1"> <thead> <tr> <th></th> <th>mm</th> <th>INCH</th> </tr> </thead> <tbody> <tr> <td>4 PLACES</td> <td>±---</td> <td>±---</td> </tr> <tr> <td>3 PLACES</td> <td>±---</td> <td>±.005</td> </tr> <tr> <td>2 PLACES</td> <td>±0.13</td> <td>±.01</td> </tr> <tr> <td>1 PLACE</td> <td>±0.3</td> <td>±---</td> </tr> </tbody> </table> ANGULAR ±2°		mm	INCH	4 PLACES	±---	±---	3 PLACES	±---	±.005	2 PLACES	±0.13	±.01	1 PLACE	±0.3	±---	DIMENSION STYLE IN/MM DRAWN BY: RSTONE DATE: 2014/06/27 CHECKED BY: G FARNSW DATE: --- APPROVED BY: JFMURPHY DATE: 2014/10/16	SCALE: --- DESIGN UNITS: METRIC THIRD ANGLE PROJECTION	TITLE: EURO TERMINAL BLOCK 9.53MM, MODULAR 55 DEGREE MOLEX INCORPORATED DOCUMENT NO.: SD-39745-001 SHEET NO.: 1 OF 1
		mm	INCH																	
	4 PLACES	±---	±---																	
	3 PLACES	±---	±.005																	
2 PLACES	±0.13	±.01																		
1 PLACE	±0.3	±---																		
DRAFT WHERE APPLICABLE MUST REMAIN WITHIN DIMENSIONS		SEE CHART	THIS DRAWING CONTAINS INFORMATION THAT IS PROPRIETARY TO MOLEX INCORPORATED AND SHOULD NOT BE USED WITHOUT WRITTEN PERMISSION																	
		SIZE C																		