

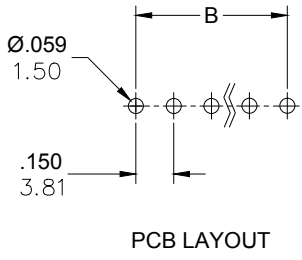
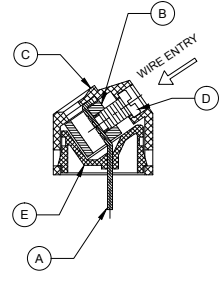
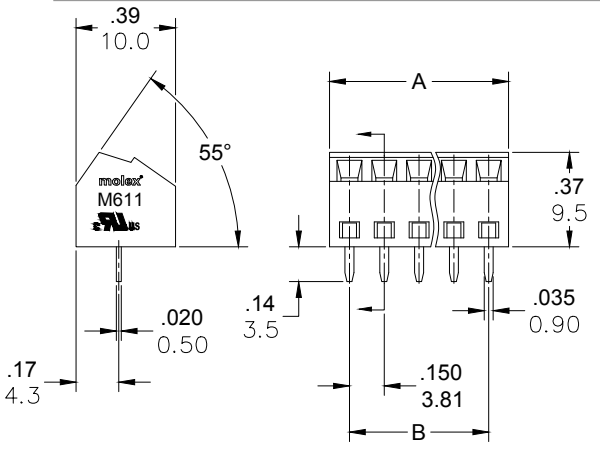
Excellent Integrated System Limited

Stocking Distributor

Click to view price, real time Inventory, Delivery & Lifecycle Information:

[Molex Connector Corporation](#)
[0397480009](#)

For any questions, you can email us directly:
sales@integrated-circuit.com



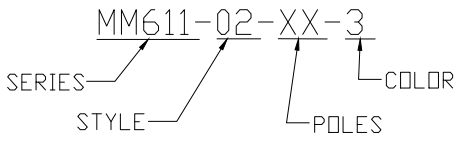
PART NUMBER DATA							
CIRCUITS	PART NUMBER	ENGINEERING NUMBER	COLOR	A IN mm	B IN mm		
2	397480002	M611-02-02-3	GREEN	.30	7.6	.150	3.81
3	397480003	M611-02-03-3	GREEN	.45	11.4	.300	7.62
4	397480004	M611-02-04-3	GREEN	.60	15.2	.450	11.43
5	397480005	M611-02-05-3	GREEN	.75	19.0	.600	15.24
6	397480006	M611-02-06-3	GREEN	.90	22.9	.750	19.05
7	397480007	M611-02-07-3	GREEN	1.05	26.7	.900	22.86
8	397480008	M611-02-08-3	GREEN	1.20	30.5	1.050	26.67
9	397480009	M611-02-09-3	GREEN	1.35	34.3	1.200	30.48
10	397480010	M611-02-10-3	GREEN	1.50	38.1	1.350	34.29
11	397480011	M611-02-11-3	GREEN	1.65	41.9	1.500	38.10
12	397480012	M611-02-12-3	GREEN	1.80	45.7	1.650	41.91
13		M611-02-13-3	GREEN	1.95	49.5	1.800	45.72
14		M611-02-14-3	GREEN	2.10	53.3	1.950	49.53
15		M611-02-15-3	GREEN	2.25	57.1	2.100	53.34
16		M611-02-16-3	GREEN	2.40	61.0	2.250	57.15

REF. LAST 2 DIGITS OF PART NUMBER EQUAL CIRCUIT COUNT

SPECIFICATIONS:

- MATERIAL:
 - A. TERMINAL: BRASS TIN PLATED
 - B. CAGE: BRASS NICKEL PLATED
 - C. BODY: PA66 UL94 V-0
 - D. SCREW: M2 STEEL ZINC PLATED
 - E. COVER: PA66 UL94 V-0
- RATING: 300V, 10A
- MAX TORQUE: 2.0 LB-IN.
- WIRE RANGE: 30-16 AWG
- WIRE STRIP: .20 IN (5.0mm)
- DIELECTRIC VOLTAGE WITHSTAND: AC 2000V FOR 1 MINUTE
- INSULATION RESISTANCE: DC 500V, 500MΩ
- RATED IMPULSE VOLTAGE: 4000V PLUS AND MINUS 5 TIMES EACH
- OPERATING TEMPERATURE: -40°C TO +105°C
- MAX. SOLDERING TEMP: 260°C (500°F) FOR 5 SECONDS
- DIMS SHOWN ARE FOR REFERENCE ONLY

ENGINEERING NUMBER LEGEND



CONTACT FACTORY FOR OPTIONAL COLORS

RELEASED EC NO: JPC2014-1936 DRWN: RSTONE 2014/05/08 CHKD: G FARNSW APPR: JF MURPHY 2014/10/16 A	QUALITY SYMBOL ▽=0 ▽=0	GENERAL TOLERANCES (UNLESS SPECIFIED)		DIMENSION STYLE IN/MM		SCALE	DESIGN UNITS	THIRD ANGLE PROJECTION
		4 PLACES ±-- ±-- 3 PLACES ±-- ±.005 2 PLACES ±0.13 ±.01 1 PLACE ±0.3 ±-- ANGULAR ±--°	DRAWN BY DATE RSTONE 2014/05/08 CHECKED BY DATE G FARNSW --- APPROVED BY DATE JF MURPHY 2014/10/16	---	METRIC	TITLE EURO TERMINAL BLOCK 55 DEGREE 3.81MM ---- MOLEX INCORPORATED	SHEET NO. 1 OF 1	
DRAFT WHERE APPLICABLE MUST REMAIN WITHIN DIMENSIONS		SIZE C		THIS DRAWING CONTAINS INFORMATION THAT IS PROPRIETARY TO MOLEX INCORPORATED AND SHOULD NOT BE USED WITHOUT WRITTEN PERMISSION				