

Excellent Integrated System Limited

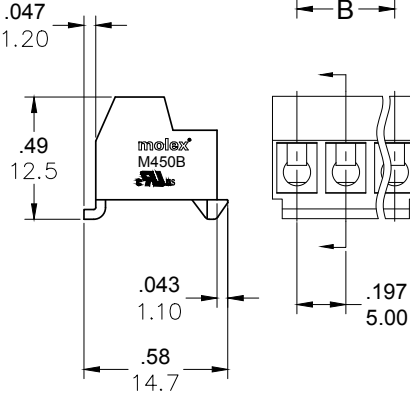
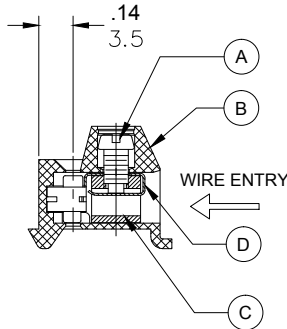
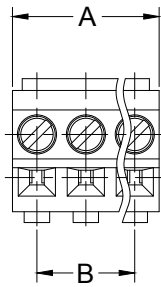
Stocking Distributor

Click to view price, real time Inventory, Delivery & Lifecycle Information:

[Molex Connector Corporation](#)
[0397540005](#)

For any questions, you can email us directly:

sales@integrated-circuit.com



SPECIFICATIONS

1. MATERIAL:

- A. SCREW: M2.5, STEEL, ZINC PLATED
- B. BODY: PA66, UL94 V-0
- C. CAGE: BRASS, NI PLATED
- D. CONTACT: PHOS-BRONZE, TIN PLATED

2. WIRE SIZE: 24 TO 14AWG

3. RATING: 300V, 10A

4. MAX TORQUE: 3IN. LBS.

5. WIRE STRIP LENGTH: .20 (5.0mm)

6. OPERATING TEMPERATURE: -40°C TO +105°C.

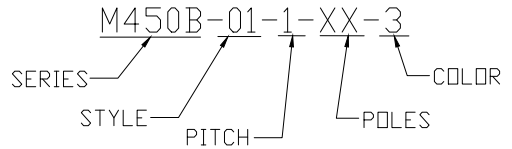
7. DIMS. SHOWN ARE FOR REFERENCE ONLY

PART NUMBER DATA

CIRCUITS	PART NUMBER	ENGINEERING NUMBER	COLOR	A IN mm	B IN mm
2	397540002	M450B-01-1-02-3	GREEN	.39	10.0
3	397540003	M450B-01-1-03-3	GREEN	.59	15.0
4	397540004	M450B-01-1-04-3	GREEN	.79	20.0
5	397540005	M450B-01-1-05-3	GREEN	.98	25.0
6	397540006	M450B-01-1-06-3	GREEN	1.18	30.0
7	397540007	M450B-01-1-07-3	GREEN	1.38	35.0
8	397540008	M450B-01-1-08-3	GREEN	1.57	40.0
9	397540009	M450B-01-1-09-3	GREEN	1.77	45.0
10	397540010	M450B-01-1-10-3	GREEN	1.97	50.0
11	397540011	M450B-01-1-11-3	GREEN	2.17	55.0
12	397540012	M450B-01-1-12-3	GREEN	2.36	60.0
13		M450B-01-1-13-3	GREEN	2.56	65.0
14		M450B-01-1-14-3	GREEN	2.76	70.0
15		M450B-01-1-15-3	GREEN	2.95	75.0
16		M450B-01-1-16-3	GREEN	3.15	80.0
17		M450B-01-1-17-3	GREEN	3.35	85.0
18		M450B-01-1-18-3	GREEN	3.54	90.0
19		M450B-01-1-19-3	GREEN	3.74	95.0
20		M450B-01-1-20-3	GREEN	3.94	100.0
21		M450B-01-1-21-3	GREEN	4.13	105.0
22		M450B-01-1-22-3	GREEN	4.33	110.0
23		M450B-01-1-23-3	GREEN	4.53	115.0
24		M450B-01-1-24-3	GREEN	4.72	120.0

REF. THE LAST 2 DIGITS OF THE PART NUMBER EQUAL CIRCUIT COUNT

ENGINEERING NUMBER LEGEND



RELEASED EC NO: JPC2016-0082 DRWN: RSTONE CHKD: G FARNSW APPR: JFMURPHY DATE: 2014/07/25 DATE: 2014/10/16	QUALITY SYMBOL ▽=0 ▽=0	GENERAL TOLERANCES (UNLESS SPECIFIED)	CONTACT DIMENSIONS IN/MM	FACTORY FOR OPTIONAL COLORS	DIMENSIONS METRIC	THIRD ANGLE PROJECTION													
		<table border="1"> <tr><th></th><th>mm</th><th>INCH</th></tr> <tr><td>4 PLACES</td><td>±---</td><td>±---</td></tr> <tr><td>3 PLACES</td><td>±---</td><td>±.005</td></tr> <tr><td>2 PLACES</td><td>±0.13</td><td>±.01</td></tr> <tr><td>1 PLACE</td><td>±0.3</td><td>±---</td></tr> </table> ANGULAR ±---°		mm	INCH	4 PLACES	±---	±---	3 PLACES	±---	±.005	2 PLACES	±0.13	±.01	1 PLACE	±0.3	±---	DRAWN BY: RSTONE CHECKED BY: G FARNSW APPROVED BY: JFMURPHY DATE: 2014/07/25 DATE: --- DATE: 2014/10/16	TITLE: TERMINAL PLUG 5.0MM HORIZONTAL, SNAP MT
	mm	INCH																	
4 PLACES	±---	±---																	
3 PLACES	±---	±.005																	
2 PLACES	±0.13	±.01																	
1 PLACE	±0.3	±---																	
DRAFT WHERE APPLICABLE MUST REMAIN WITHIN DIMENSIONS	SEE CHART	MATERIAL NO.	DOCUMENT NO. SD-39754-001	THIS DRAWING CONTAINS INFORMATION THAT IS PROPRIETARY TO MOLEX INCORPORATED AND SHOULD NOT BE USED WITHOUT WRITTEN PERMISSION															