

## Excellent Integrated System Limited

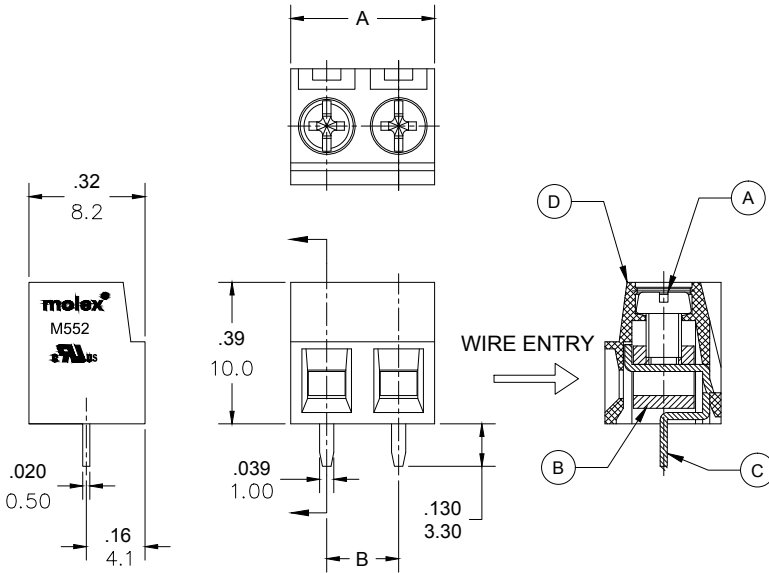
Stocking Distributor

Click to view price, real time Inventory, Delivery & Lifecycle Information:

[Molex Connector Corporation](#)  
[0397550003](#)

For any questions, you can email us directly:

[sales@integrated-circuit.com](mailto:sales@integrated-circuit.com)

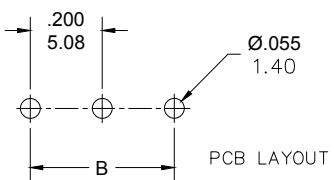


PART NUMBER DATA						
CIRCUITS	PART NUMBER	ENGINEERING NUMBER	COLOR	A IN mm	B IN mm	
2	397550002	M552-02-2-02-3	GREEN	.40	10.2	.200 5.08
3	397550003	M552-02-2-03-3	GREEN	.60	15.2	.400 10.16
4		M552-02-2-04-3	GREEN	.80	20.3	.600 15.24
5		M552-02-2-05-3	GREEN	1.00	25.4	.800 20.32
6		M552-02-2-06-3	GREEN	1.20	30.5	1.000 25.40
7		M552-02-2-07-3	GREEN	1.40	35.6	1.200 30.48
8		M552-02-2-08-3	GREEN	1.60	40.6	1.400 35.56
9		M552-02-2-09-3	GREEN	1.80	45.7	1.600 40.64
10		M552-02-2-10-3	GREEN	2.00	50.8	1.800 45.72
11		M552-02-2-11-3	GREEN	2.20	55.9	2.000 50.80
12		M552-02-2-12-3	GREEN	2.40	61.0	2.200 55.88
13		M552-02-2-13-3	GREEN	2.60	66.0	2.400 60.96
14		M552-02-2-14-3	GREEN	2.80	71.1	2.600 66.04
15		M552-02-2-15-3	GREEN	3.00	76.2	2.800 71.12
16		M552-02-2-16-3	GREEN	3.20	81.3	3.000 76.20
17		M552-02-2-17-3	GREEN	3.40	86.4	3.200 81.28
18		M552-02-2-18-3	GREEN	3.60	91.4	3.400 86.36
19		M552-02-2-19-3	GREEN	3.80	96.5	3.600 91.44
20		M552-02-2-20-3	GREEN	4.00	101.6	3.800 96.52

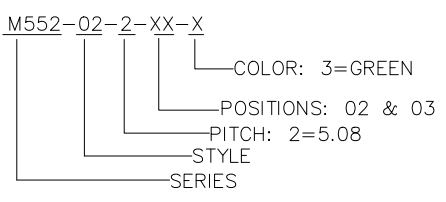
REF. LAST 2 DIGITS OF PART NO. EQUALS CIRCUIT COUNT  
CONTACT FACTORY FOR OPTIONAL LENGTHS & COLORS

SPECIFICATIONS

- MATERIAL:
  - A. SCREW: STEEL, M2.5, ZINC PLATED
  - B. CAGE: BRASS, NICKEL PLATED
  - C. TERMINAL: BRASS, TIN PLATED
  - D. BODY: PA66, UL94 V-0
- WIRE RATING: 30-16AWG
- ELECTRICAL RATING: 300V, 10A
- POWER-FREQUENCY WITHSTAND: AC 2500V/1MIN
- INSULATION RESISTANCE: DC500V 500MΩ OR ABOVE
- RATED IMPULSE VOLTAGE: 4000V/MINUS AND PLUS 5 TIMES EACH
- WIRE STRIP LENGTH: .24 (6.0mm)
- SCREW TORQUE: 3 IN LBS. (MAX)
- OPERATING TEMPERATURE: -40° TO +105°
- MAX. SOLDERING TEMPERATURE: 260°C FOR 5 SECONDS
- DIMS. SHOWN ARE FOR REFERENCE ONLY



ENGINEERING NUMBER LEGEND



RELEASED EC NO: JPC2014-1482 DRWN: RSTONE 2014/02/18 CHKD: G FARNSW APPR: JFMURPHY 2014/10/16 REV A	QUALITY SYMBOL ▽=0 ▽=0	GENERAL TOLERANCES (UNLESS SPECIFIED)		DIMENSION STYLE IM/MM		SCALE	DESIGN UNITS	THIRD ANGLE PROJECTION
		mm	INCH	DRAWN BY	DATE	---	METRIC	
		4 PLACES ±	±	RSTONE	2014/02/18	TITLE		
		3 PLACES ±	±.005	CHECKED BY	DATE	TERMINAL PLUG .200 (5.08MM) PITCH PC TAIL		
2 PLACES ±0.13	±.01	G FARNSW	---	MOLEX INCORPORATED				
1 PLACE ±0.3	±	APPROVED BY	DATE	SEE CHART				
ANGULAR ±°		JFMURPHY	2014/10/16	SD-39755-001				
DRAFT WHERE APPLICABLE MUST REMAIN WITHIN DIMENSIONS		MATERIAL NO.	DOCUMENT NO.	SHEET NO.		1 OF 1		
		SIZE C	THIS DRAWING CONTAINS INFORMATION THAT IS PROPRIETARY TO MOLEX INCORPORATED AND SHOULD NOT BE USED WITHOUT WRITTEN PERMISSION					