

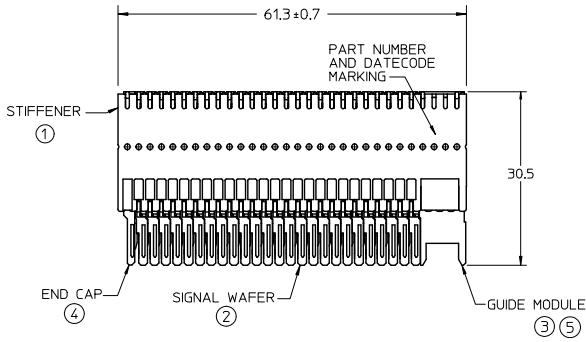
Excellent Integrated System Limited

Stocking Distributor

Click to view price, real time Inventory, Delivery & Lifecycle Information:

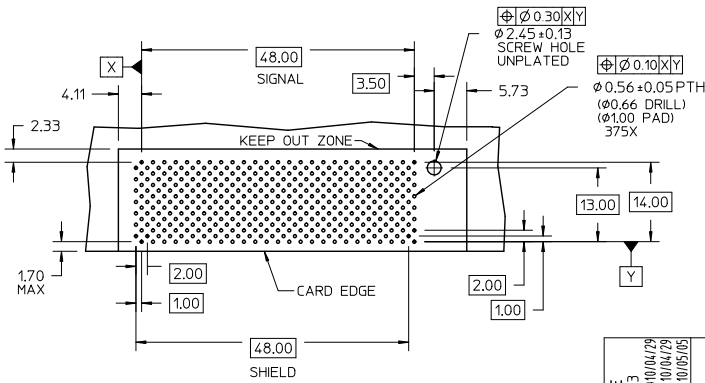
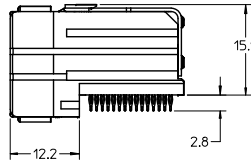
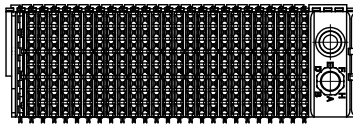
[Molex Connector Corporation](#)
[0740401343](#)

For any questions, you can email us directly:
sales@integrated-circuit.com



NOTES:

1. MATERIALS: HOUSING: LIQUID CRYSTAL POLYMER (LCP), GLASS-FILLED, UL94V-0, BLACK, TERMINALS: COPPER ALLOY, STIFFENER: STAINLESS STEEL
2. FINISH: SELECTIVE GOLD (Au) IN CONTACT AREA, 0.76 micrometers MINIMUM THICKNESS, SELECTIVE TIN/LEAD (Sn/Pb) IN TAIL AREA, NICKEL (Ni) UNDERPLATE OVERALL.
3. REFER TO MOLEX PRODUCT SPECIFICATION PS-74031-999 FOR PERFORMANCE SPECIFICATIONS.
4. PARTS TO BE PACKAGED PER PK-70873-5041.
5. THIS PART CONFORMS TO CLASS "B" REQUIREMENTS OF MOLEX COSMETIC SPECIFICATION PS-45499-002.
6. REFER TO MOLEX DOCUMENT SD-74041-002 FOR ADDITIONAL DETAIL ON THE SIGNAL WAFER.
7. REFER TO MOLEX DOCUMENT SD-74037-006 FOR ADDITIONAL DETAIL ON THE GUIDANCE MODULE.
8. SCREWS PACKED IN BAG INSIDE TUBE.
9. LABEL MARKED WITH MOLEX PART NUMBER AND DATE CODE. LABEL MAY BE REPLACED BY LASER MARKING ON THE STIFFENER.



ITEM	PART NUMBER	DESCRIPTION	QTY
1	74046-0061	STIFFENER	1
2	74041-0001	SIGNAL WAFER	25
3	74037-0008	POLARIZING/GUIDE MODULE	1
4	74038-1001	END CAP	1
5	73726-0000	GUIDE MODULE MTG SCREW	1

DAUGHTERCARD BOARD LAYOUT
CONNECTOR SIDE

INITIAL RELEASE EC NO: UCP2010-2753 DRAWN: SDANNELLEY 2010/04/29 CHKD: JMELTON 2010/04/29 APPR: SMILLER 2010/05/05	QUALITY SYMBOLS ▽=0 ▽=0 ▽=0	GENERAL TOLERANCES (UNLESS SPECIFIED) mm INCH 4 PLACES ± --- ± --- 3 PLACES ± --- ± --- 2 PLACES ± 0.25 ± --- 1 PLACE ± 0.38 ± --- ANGULAR ± 1/2°	DIMENSION STYLE MM ONLY	SCALE 2:1	DESIGN UNITS METRIC	THIRD ANGLE PROJECTION	
			DRAWN BY SDANNELLEY	DATE 2010/04/29	CHECKED BY JMELTON	DATE 2010/04/29	APPROVED BY SMILLER
A	REV	DRAFT WHERE APPLICABLE MUST REMAIN WITHIN DIMENSIONS	MATERIAL NO. 74040-1343	DOCUMENT NO. SD-74040-1343	MOLEX INCORPORATED		
			SIZE C	THIS DRAWING CONTAINS INFORMATION THAT IS PROPRIETARY TO MOLEX INCORPORATED AND SHOULD NOT BE USED WITHOUT WRITTEN PERMISSION			SHEET NO. 1 OF 1