

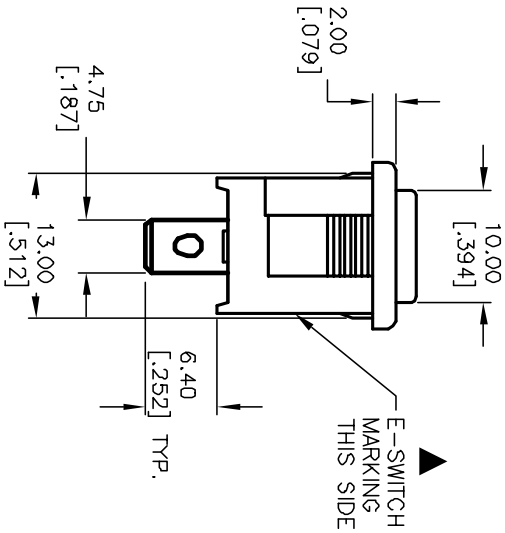
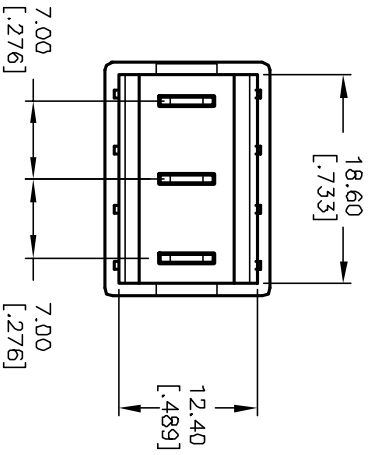
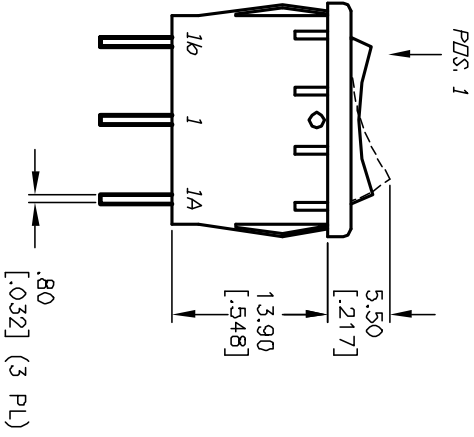
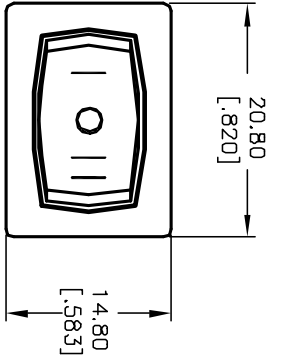
Excellent Integrated System Limited

Stocking Distributor

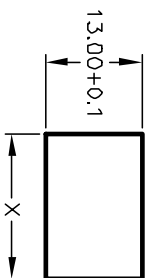
Click to view price, real time Inventory, Delivery & Lifecycle Information:

[E-Switch](#)
[R1966IBLKBLKBF](#)

For any questions, you can email us directly:
sales@integrated-circuit.com



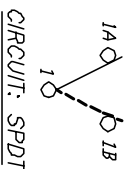
PANEL THICKNESS	X dimension
0.75-1.25 [0.30-0.49]	19.2-0.1 [0.756]
1.25-2.0 [0.49-0.79]	19.4-0.1 [0.764]
2.0-3.0 [0.79-1.18]	19.8-0.1 [0.780]



PANEL CUTOUT
 NOT TO SCALE

SWITCH FUNCTION		
POS. 1	POS. 2	POS. 3
<DN>	OFF	<DN>
1-1a	OPEN	1-1b

() = MOMENTARY



CIRCUIT: SPDT

NOTES:

1. ALL DIMENSIONS IN MM [INCH]
2. GENERAL TOLERANCE: X: X=±0.4 X: XX=±0.25
3. TERMINAL NUMBERS FOR REF ONLY
4. RATING: 15A @ 125VAC OR 6A @ 250VAC
5. APPROVALS: UL, CSA, NEMKO, FEMKO, DEMKO, SEMKO
6. MATERIALS: TERMINALS: Silver Plated Copper Alloy CONTACTS: GAIN Silver, Silver Plated
7. ELECTRIC LIFE: 10,000 cycles
8. CONTACT RESISTANCE: <20 Mega-ohm
9. INSULATION RESISTANCE: >1000 Mega-ohm
10. DIELECTRIC STRENGTH: >1500 V 1 minute >3000 V between poles

E-SWITCH®

R19661 BLK BLK BF

REV.	ECN No.	DESCRIPTION	DATE	CHKD
C	12061	REVISED MARKING	5/02/02	CJB

TITLE	SCALE	DATE	DR	DWG	REV
R19661 BLK BLK BF	1.5:1	4/16/02	CB	M306211	C

THE INFORMATION CONTAINED IN THIS DOCUMENT IS PROPRIETARY TO E-SWITCH AND IS NOT TO BE COPIED OR TRANSMITTED