

## Excellent Integrated System Limited

Stocking Distributor

Click to view price, real time Inventory, Delivery & Lifecycle Information:

[JST Sales America Inc.](#)

[WC-240](#)

For any questions, you can email us directly:

[sales@integrated-circuit.com](mailto:sales@integrated-circuit.com)

DWG: JUKCT-006-01-00

*JST*

Hand crimping tool  
 Type: WC-240

Features

Parallel action operation

Ratchet release

Easy readjustment of load

Contact locator with insulation-stop

Precisely ground profiles

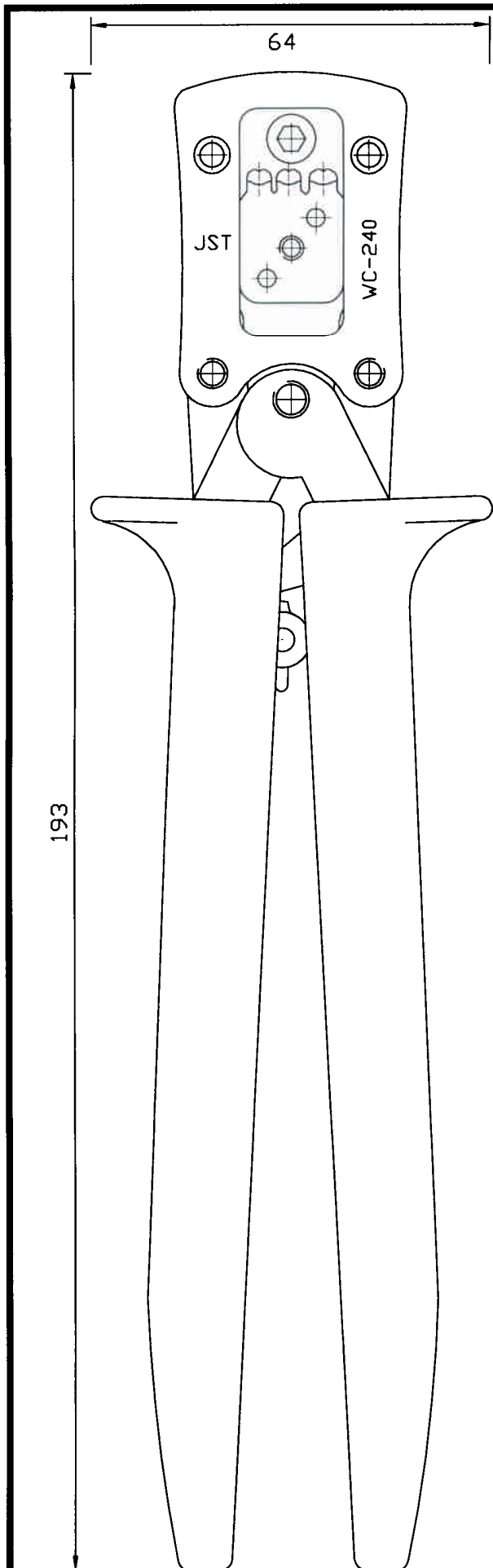
Ergonomic soft grips colour: green

Fully recyclable

Applicable terminal:  
 ( )PH-002T-(P)0.5S

Cross section range:  
 Profile 1: 30 AWG/28AWG  
 Profile 2: 26 AWG  
 Profile 3: 24 AWG

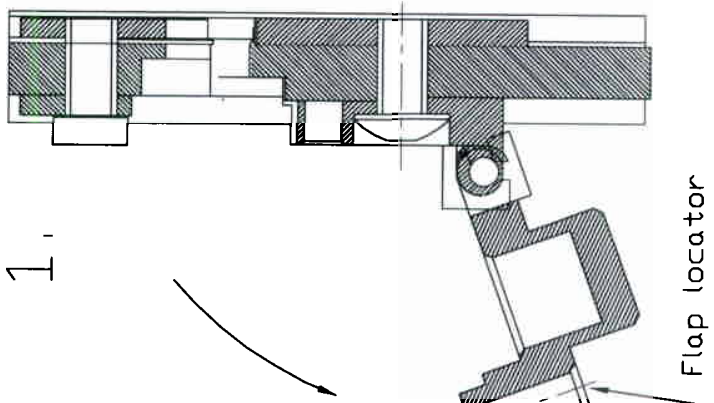
Crimp height specification  
 30 AWG - 0.52mm-0.57mm  
 28 AWG - 0.55mm-0.60mm  
 26 AWG - 0.57mm-0.62mm



DWG: JUKCT-006-02-00

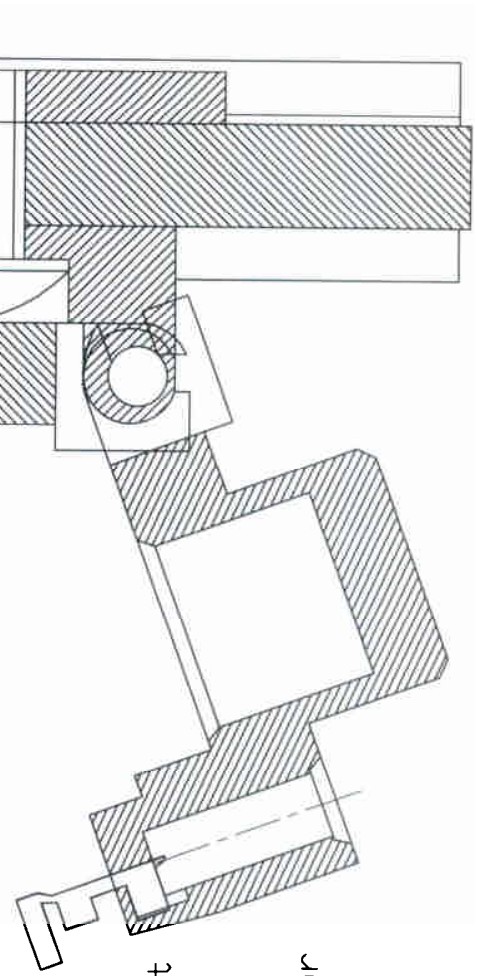
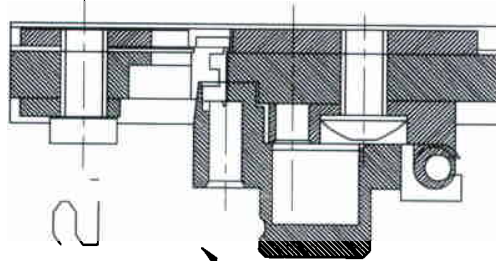
# OPERATION INSTRUCTIONS

1. Open flap locator and insert contact up to stop.
2. Close flap locator.



Insulation stop

3. Close handtool until first ratchet.
4. Insert wire up to stop.



5. Close handtool until the ratchet releases.
6. Open flap locator and carefully remove the wire.

