

DESCRIPTION: M5 MALE - CABLE MOUNT - SOLDER CUP - 4 POSITION

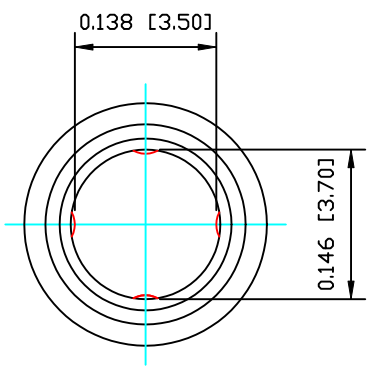
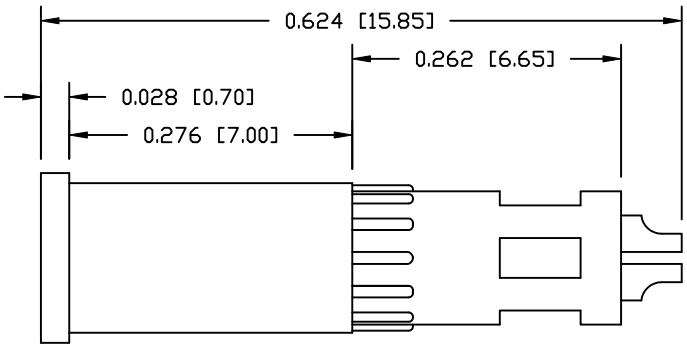
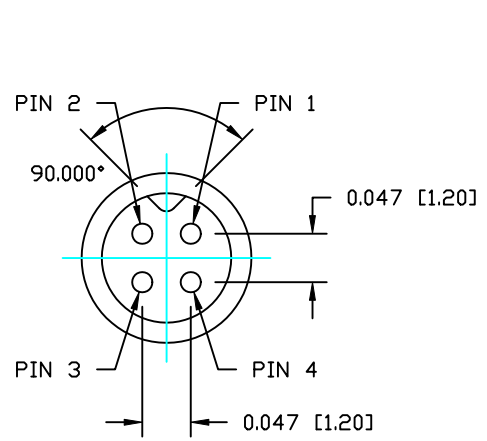
NOTE:

MATERIAL
 HOUSING: TPU, BLACK
 CONTACT: BRASS
 NUT: BRASS

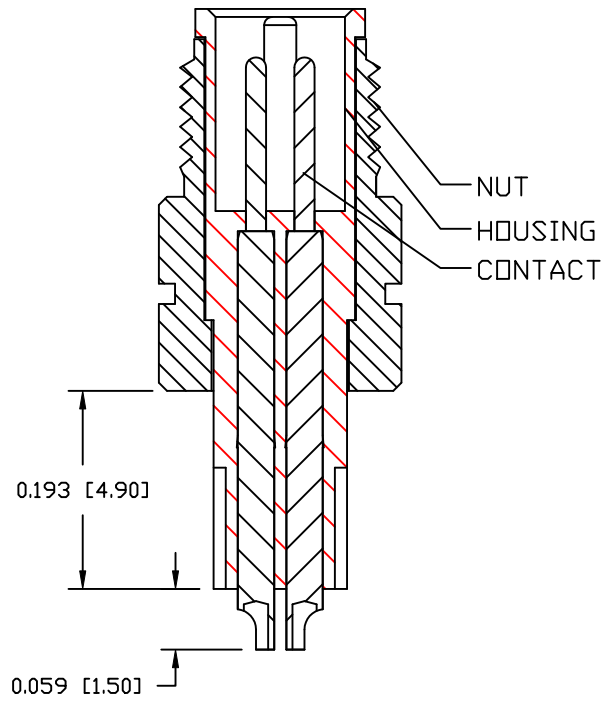
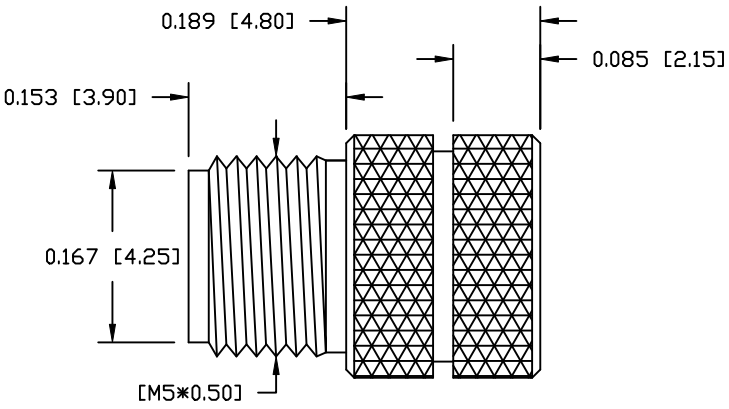
FINISH
 CONTACT: GOLD FLASH (0.8-1.0) μ m
 OVER 50 μ m NICKEL
 NUT: SATIN NICKEL

ELECTRICAL
 RATED CURRENT: 1A
 RATED VOLTAGE: 60V
 WATER PROOF: IP67

ENVIRONMENT
 OPERATION TEMPERATURE: -40°C TO +85°C
 WIRE GAUGE: 26-28 AWG



NUT



RoHS COMPLIANT

DO NOT SCALE FROM DRAWING



THESE DRAWINGS AND SPECIFICATIONS ARE THE PROPERTY OF NorComp AND SHALL NOT BE REPRODUCED, COPIED OR USED AS THE BASIS FOR THE MANUFACTURE OR SALE OF APPARATUS WITHOUT WRITTEN PERMISSION.

DRAWN: C. SMITH	DATE: 08/08/14
CHECKED:	DATE:

NorComp

SCALE: NTS	SHEET 1	OF 1	REV 0
DWG NO. 850-004-103RLU1			