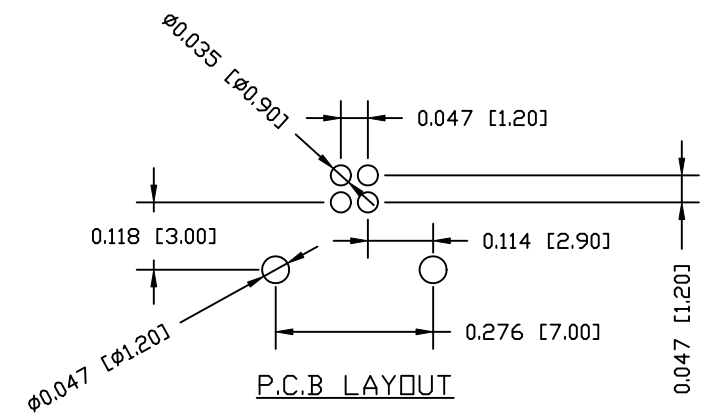
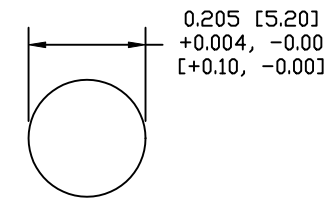


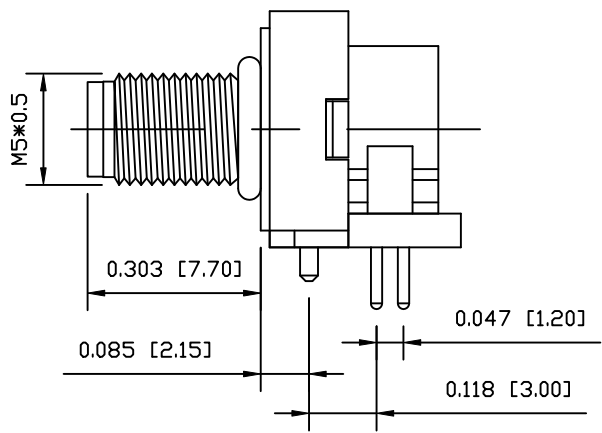
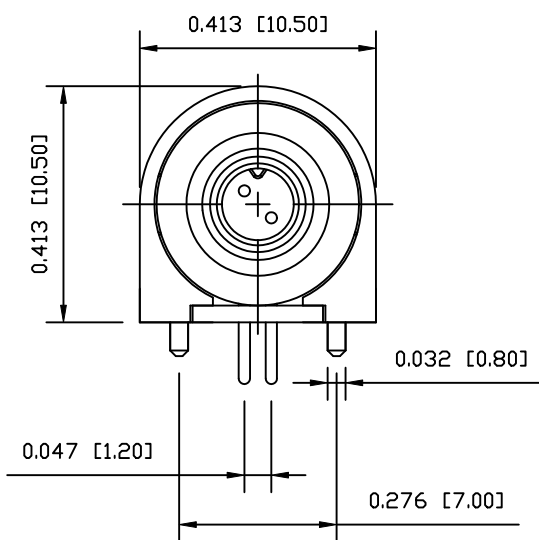
NUT



P.C.B LAYOUT



PANEL CUT-OUT



NOTE:

- MATERIAL
- HOUSING: PBT UL94V-0, BLACK
 - CONTACT: BRASS
 - NUT: BRASS
 - O-RING: NBR, BLACK
 - BACK HOUSING: PBT UL94V-0, BLACK
 - DOWN HOUSING: PBT UL94V-0, BLACK
- FINISH
- CONTACT: GOLD FLASH (0.8-1.0) μ m OVER 50 μ m NICKEL
 - NUT: NICKEL PLATED
- ELECTRICAL
- RATED CURRENT: 1A
 - RATED VOLTAGE: 60V
 - WATER PROOF: IP67
- ENVIRONMENT
- OPERATION TEMPERATURE: -40°C TO +85°C

RoHS COMPLIANT

DO NOT SCALE FROM DRAWING



THESE DRAWINGS AND SPECIFICATIONS ARE THE PROPERTY OF NorComp AND SHALL NOT BE REPRODUCED, COPIED OR USED AS THE BASIS FOR THE MANUFACTURE OR SALE OF APPARATUS WITHOUT WRITTEN PERMISSION.

DRAWN:	M. SIGMON	DATE:	01-26-15
CHECKED:		DATE:	

NorComp

SCALE:	NTS	SHEET	1	OF	1	REV	0
DWG NO.	853-002-113R001						