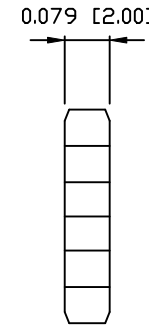
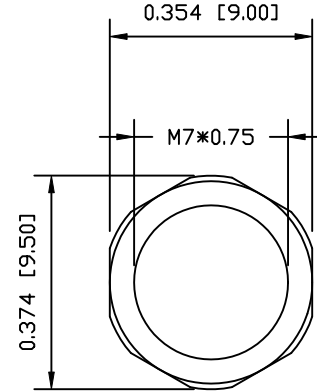
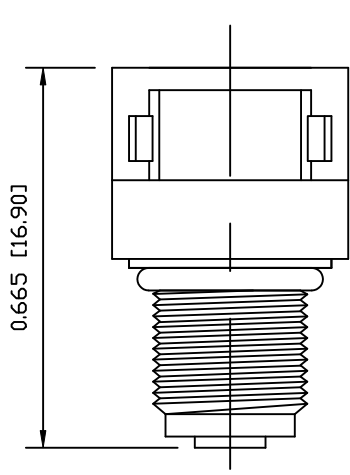
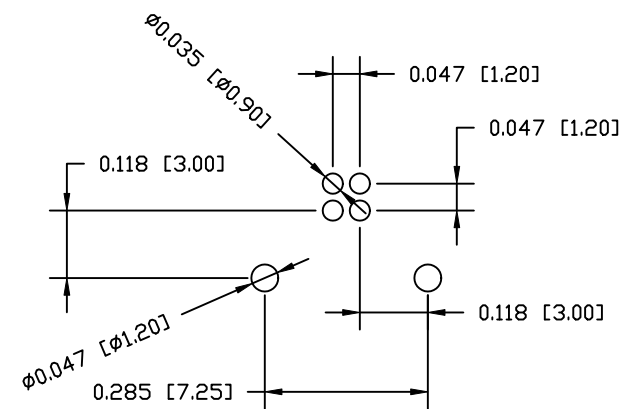


DESCRIPTION: M5 FEMALE - RIGHT ANGLE - PANEL MOUNT - 2 POSITION

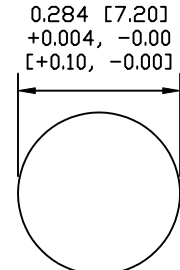
UNITS = INCHES [MM]



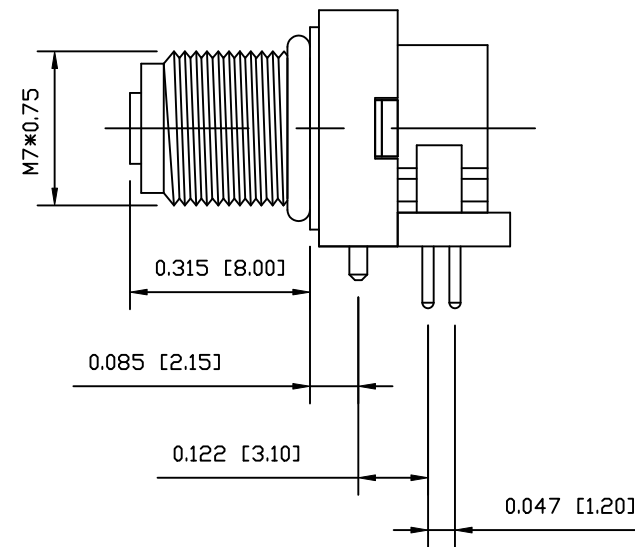
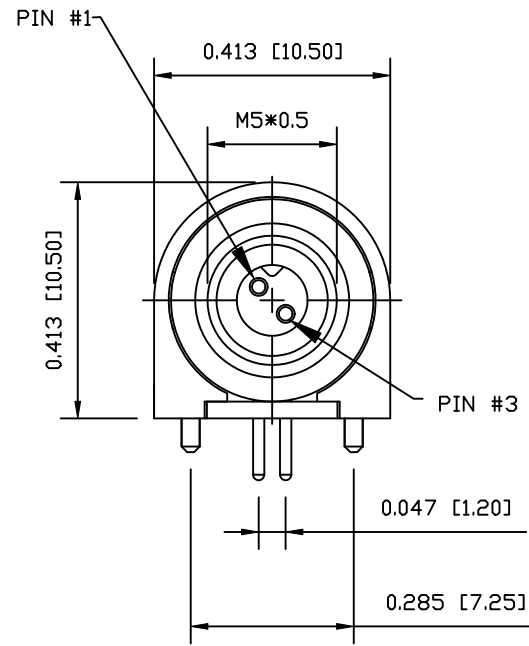
NUT



P.C.B LAYOUT



PANEL CUT-OUT



NOTE:

- MATERIAL  
 HOUSING: PBT UL94V-0, BLACK  
 CONTACT: BRASS  
 NUT: BRASS  
 O-RING: NBR, BLACK  
 BACK HOUSING: PBT UL94V-0, BLACK  
 DOWN HOUSING: PBT UL94V-0, BLACK
- FINISH  
 CONTACT: GOLD FLASH (0.8-1.0) $\mu$ m  
 OVER 50 $\mu$ m NICKEL  
 NUT: NICKEL PLATED
- ELECTRICAL  
 RATED CURRENT: 1A  
 RATED VOLTAGE: 60V  
 WATER PROOF: IP67
- ENVIRONMENT  
 OPERATION TEMPERATURE: -40°C TO +85°C

RoHS COMPLIANT

DO NOT SCALE FROM DRAWING



THESE DRAWINGS AND SPECIFICATIONS ARE THE PROPERTY OF NorComp AND SHALL NOT BE REPRODUCED, COPIED OR USED AS THE BASIS FOR THE MANUFACTURE OR SALE OF APPARATUS WITHOUT WRITTEN PERMISSION.

DRAWN:	M. SIGMON	DATE:	01-26-15
CHECKED:		DATE:	

NorComp

SCALE:	NTS	SHEET	1	OF	1	REV	0
DWG NO.	853-002-213R001						