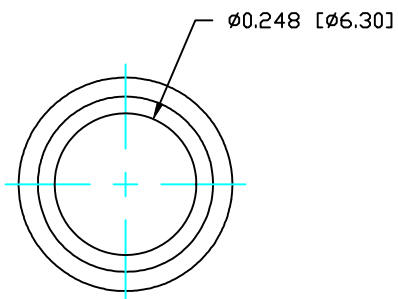
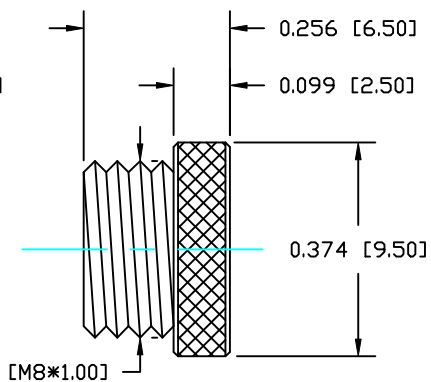


DESCRIPTION: M8 MALE - CABLE MOUNT - SOLDER CUP - 5 POS.



NUT



NOTE:

MATERIAL

HOUSING: PBT UL94V-0, BLACK  
 CONTACT: BRASS  
 NUT: BRASS  
 SHELL: BRASS

FINISH

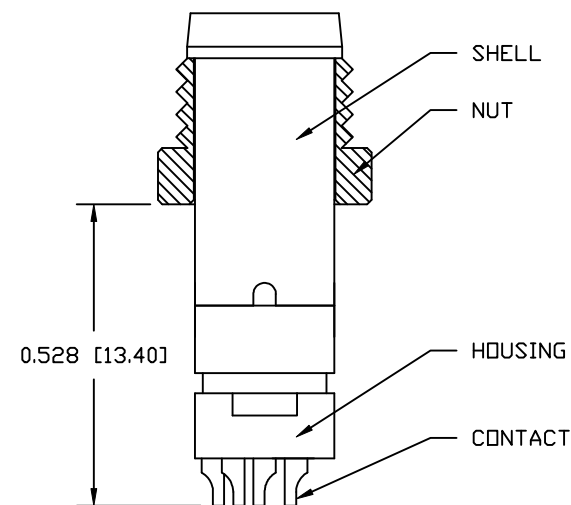
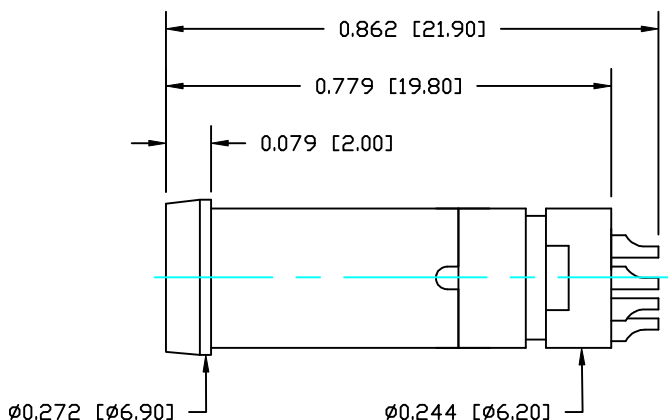
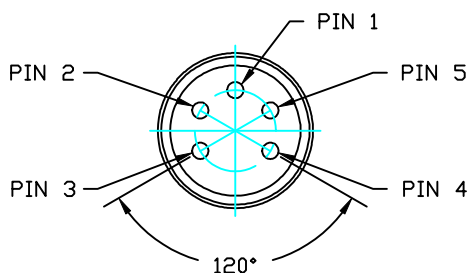
CONTACT: GOLD FLASH (0.8-1.0) $\mu$ m  
 OVER 50 $\mu$ m NICKEL  
 SHELL: NICKEL PLATED  
 NUT: NICKEL PLATED

ELECTRICAL

RATED CURRENT: 3A  
 RATED VOLTAGE: 125V  
 WATER PROOF: IP67

ENVIRONMENT

OPERATION TEMPERATURE: -40°C TO +85°C  
 WIRE GAUGE: 24-28 AWG



RoHS COMPLIANT

DO NOT SCALE FROM DRAWING



THESE DRAWINGS AND SPECIFICATIONS ARE THE PROPERTY OF NorComp AND SHALL NOT BE REPRODUCED, COPIED OR USED AS THE BASIS FOR THE MANUFACTURE OR SALE OF APPARATUS WITHOUT WRITTEN PERMISSION.

DRAWN: C. SMITH

DATE: 08-14-14

CHECKED:

DATE:

NorComp

SCALE: N.T.S.

SHEET 1 OF 1

REV 1

DWG NO.

854-005-103RLS1