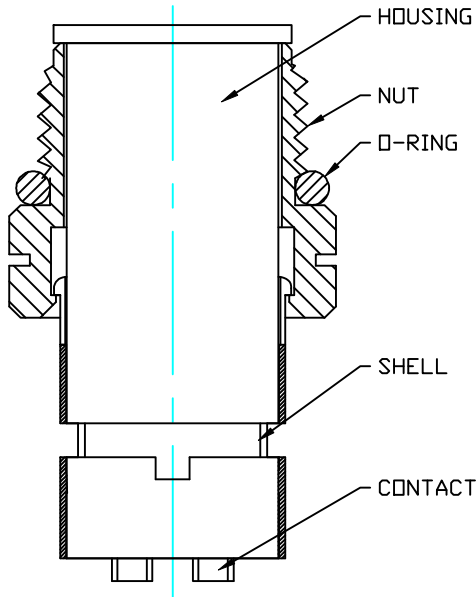


DESCRIPTION: M12 MALE - CABLE MOUNT - 4 POS.



NOTE:

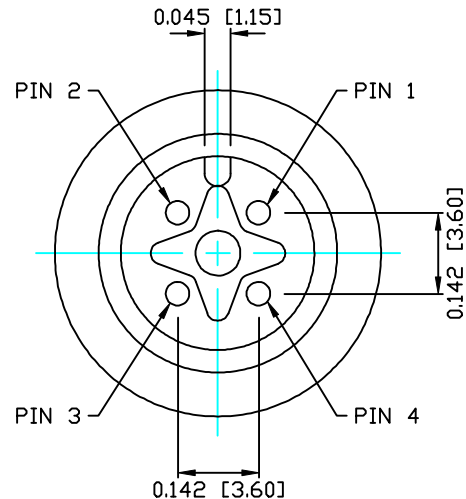
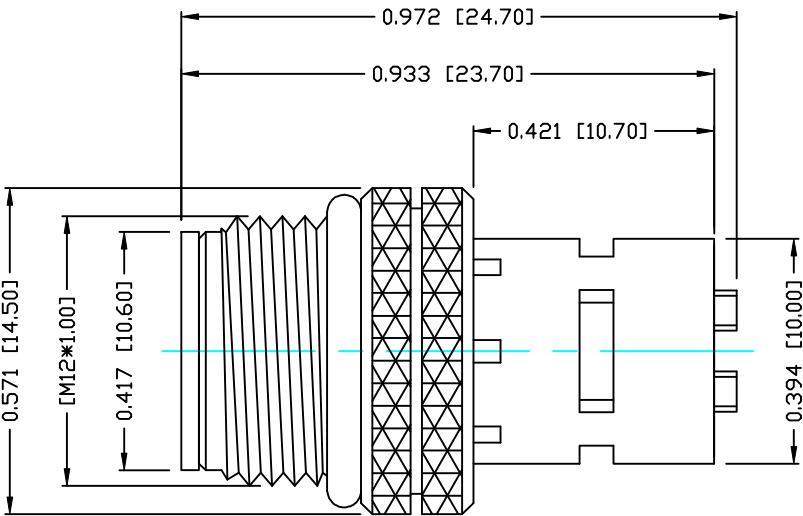
MATERIAL
 HOUSING: PBT UL94V-0, BLACK
 CONTACT: BRASS
 NUT: BRASS
 O-RING: EPDM, BLACK
 SHELL: BRASS

FINISH
 CONTACT: GOLD 10µm MIN.
 OVER 50µm NICKEL
 NICKEL PLATED
 BRIGHT TIN PLATED

NUT:
 SHELL: NICKEL PLATED
 BRIGHT TIN PLATED

ELECTRICAL
 RATED CURRENT: 5A
 RATED VOLTAGE: 125V
 WATER PROOF: IP67

ENVIRONMENT
 OPERATION TEMPERATURE: -40°C TO +85°C
 WIRE GAUGE: 24-28 AWG



RoHS COMPLIANT

DO NOT SCALE FROM DRAWING



THESE DRAWINGS AND SPECIFICATIONS ARE THE PROPERTY OF NorComp AND SHALL NOT BE REPRODUCED, COPIED OR USED AS THE BASIS FOR THE MANUFACTURE OR SALE OF APPARATUS WITHOUT WRITTEN PERMISSION.

DRAWN: C. SMITH
 CHECKED:

DATE: 01-16-15
 DATE:

NorComp

SCALE: N.T.S.	SHEET 1 OF 1	REV 0
DWG NO. 858-004-103RSS1		