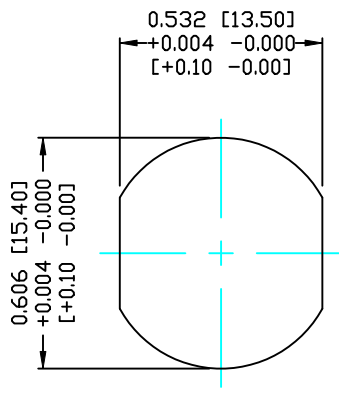
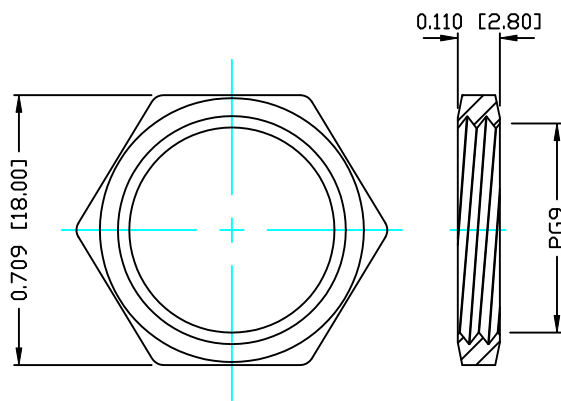


**DESCRIPTION: M12 FEMALE - PANEL MOUNT (REAR) - 4 POS.**



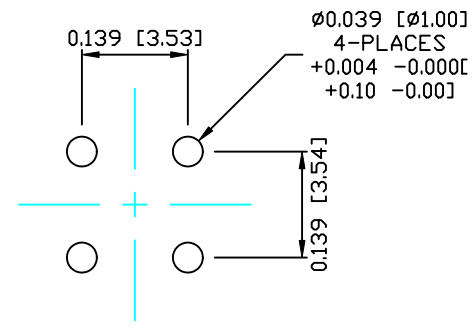
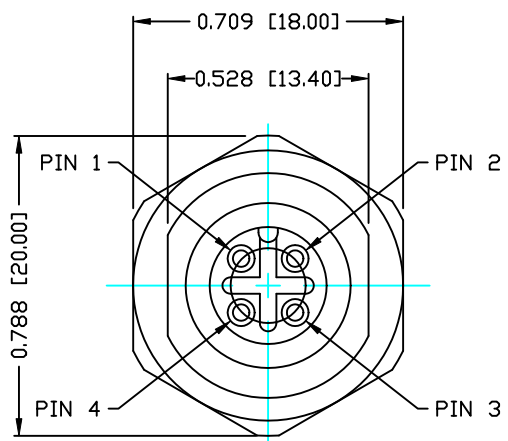
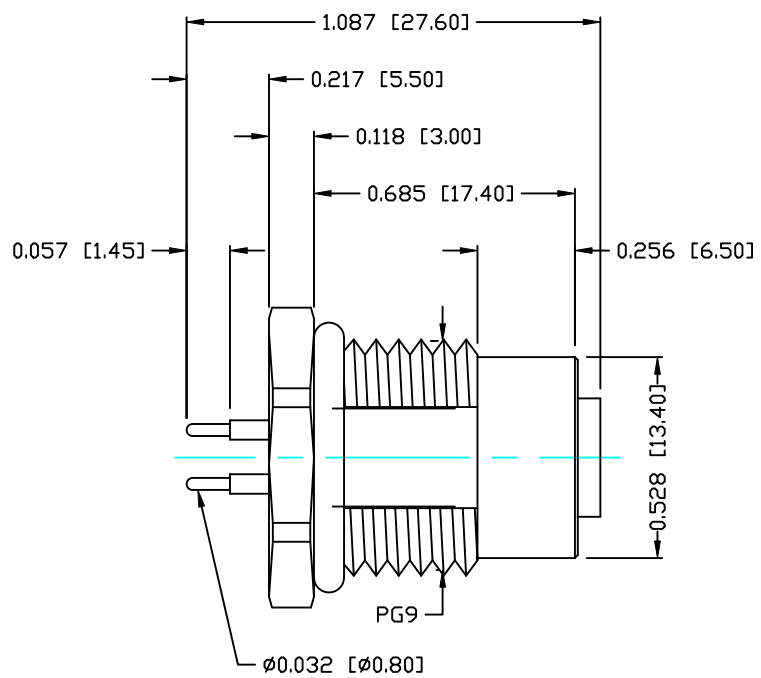
PANEL CUTOUT



NUT

**NOTE:**

<b>MATERIAL</b>	
HOUSING:	PBT UL94V-0, BLACK
CONTACT:	BRASS
NUT:	BRASS
SHELL:	BRASS
O-RING:	EPDM, BLACK
<b>FINISH</b>	
CONTACT:	GOLD 10µ" MIN. OVER 50µ" NICKEL
NUT:	NICKEL PLATED
SHELL:	NICKEL PLATED
<b>ELECTRICAL</b>	
RATED CURRENT:	5A
RATED VOLTAGE:	125V
WATER PROOF:	IP67
<b>ENVIRONMENT</b>	
OPERATION TEMPERATURE:	-40°C TO +85°C



PLC LAYOUT

**RoHS COMPLIANT**

**DO NOT SCALE FROM DRAWING**



THESE DRAWINGS AND SPECIFICATIONS ARE THE PROPERTY OF NorComp AND SHALL NOT BE REPRODUCED, COPIED OR USED AS THE BASIS FOR THE MANUFACTURE OR SALE OF APPARATUS WITHOUT WRITTEN PERMISSION.

DRAWN:  
**C. SMITH**  
CHECKED:

DATE:  
**08-29-14**  
DATE:

**NorComp**

SCALE: N.T.S.	SHEET 1	OF 1	REV 0
DWG NO. <b>860-004-213R004</b>			