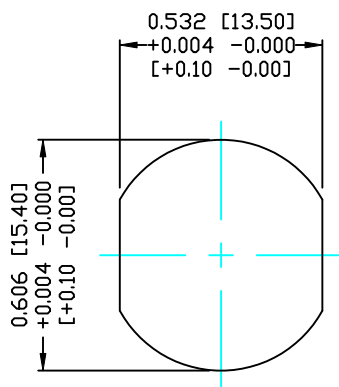
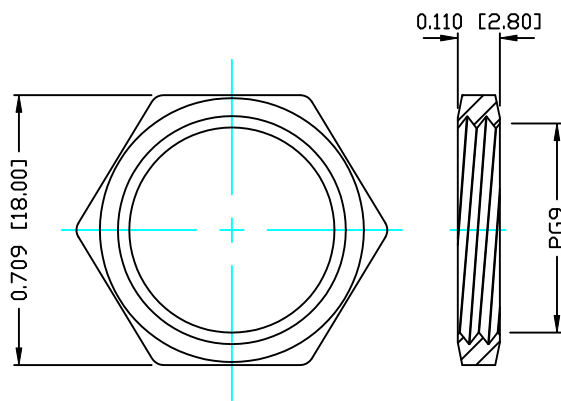


DESCRIPTION: M12 FEMALE - PANEL MOUNT (REAR) - 5 POS.



PANEL CUTOUT



NUT

NOTE:

MATERIAL

HOUSING: PBT UL94V-0, BLACK
 CONTACT: BRASS
 NUT: BRASS
 SHELL: BRASS
 O-RING: EPDM, BLACK

FINISH

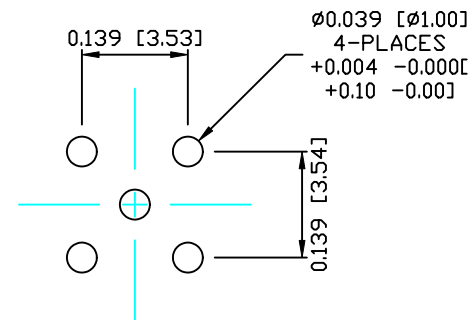
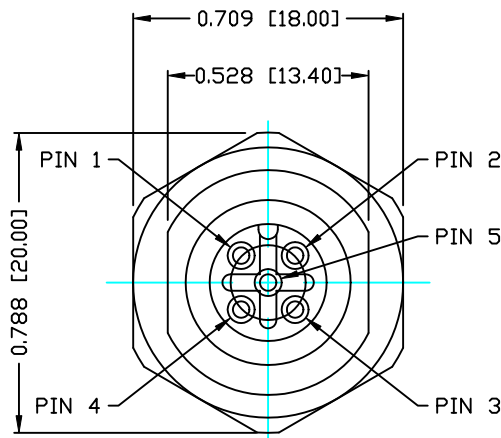
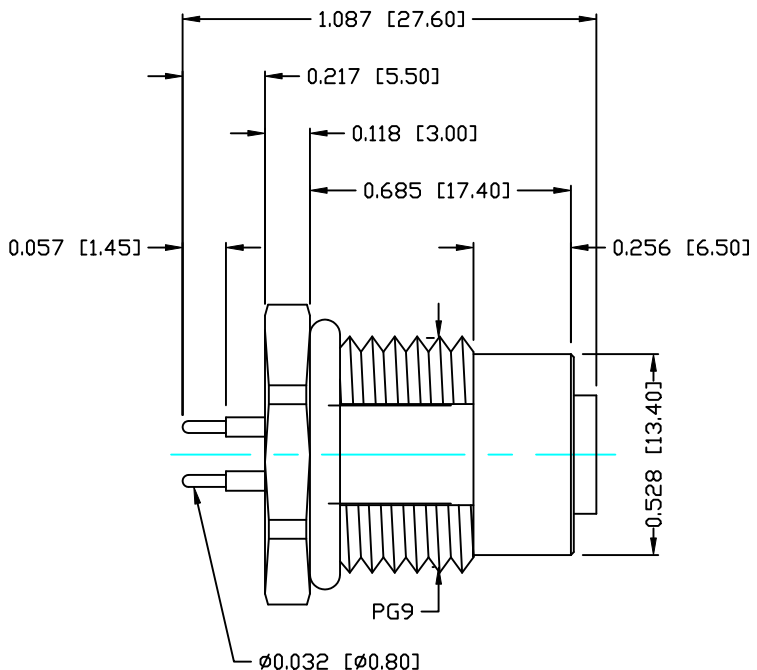
CONTACT: GOLD 10µm MIN.
 OVER 50µm NICKEL
 NUT: NICKEL PLATED
 SHELL: NICKEL PLATED

ELECTRICAL

RATED CURRENT: 5A
 RATED VOLTAGE: 125V
 WATER PROOF: IP67

ENVIRONMENT

OPERATION TEMPERATURE: -40°C TO +85°C



PLC LAYOUT

RoHS COMPLIANT

DO NOT SCALE FROM DRAWING



THESE DRAWINGS AND SPECIFICATIONS ARE THE PROPERTY OF NorComp AND SHALL NOT BE REPRODUCED, COPIED OR USED AS THE BASIS FOR THE MANUFACTURE OR SALE OF APPARATUS WITHOUT WRITTEN PERMISSION.

DRAWN: C. SMITH

DATE: 08-29-14

CHECKED:

DATE:

NorComp

SCALE: N.T.S.

SHEET 1 OF 1

REV 0

DWG NO.

860-005-213R004