

## Excellent Integrated System Limited

Stocking Distributor

Click to view price, real time Inventory, Delivery & Lifecycle Information:

[Cinch Connectivity Solutions](#)  
[ATT-0238-09-SMA-02](#)

For any questions, you can email us directly:

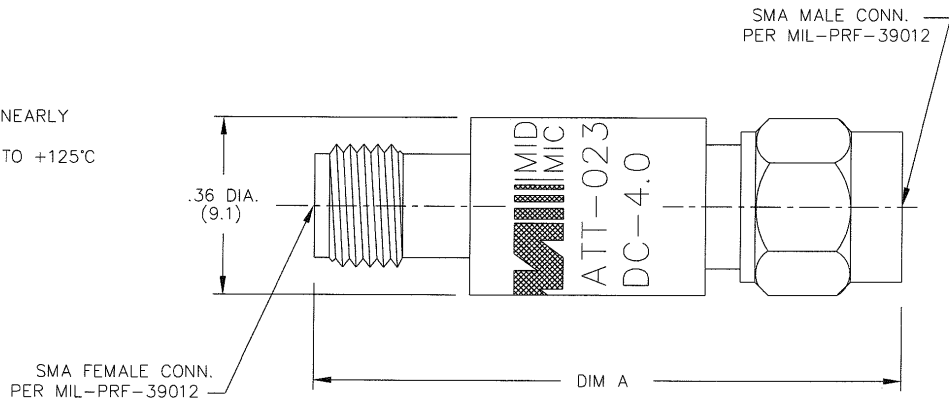
[sales@integrated-circuit.com](mailto:sales@integrated-circuit.com)



MODEL NUMBER  
 ATT-0238-XX-SMA-02  
 REV.  
 G

NOTES:

- 1.0 ELECTRICAL SPECIFICATIONS:
- 1.1 FREQUENCY RANGE: DC to 4.0 GHz
- 1.2 ATTENUATION VALUES AND ACCURACY
  - 1.2.1 0 dB +0.3 dB
  - 1.2.2 1 to 10 dB ±0.3 dB
  - 1.2.3 11 to 20 dB ±0.5 dB
  - 1.2.4 21 to 40 dB ±1.0 dB
  - 1.2.5 41 to 60 dB ±1.5 dB
- 1.3 VSWR: 1.07 + .015f (GHz)
- 2.0 MAXIMUM INPUT POWER:
  - 2 WATTS AVERAGE AT +25°C DERATED LINEARLY TO 0.5 WATTS AT +125°C
- 3.0 OPERATING TEMPERATURE RANGE: -65°C TO +125°C
- 4.0 MARKING: MARK UNIT AS SHOWN (REF.: INK-03804-27-01)
- 5.0 DIMENSIONS IN PARENTHESIS ARE IN MILLIMETERS.



21 to 60 dB	1.49(37.8)
0 to 20 dB	1.20(30.5)
-XX-	DIM A
ATTENUATION VALUE	

REV.	DESCRIPTION	DATE
-	RELEASED	
A	ECR 3656	6-17-85
B	ECR 4003	11-1-85
C	ECR 4689	7-24-86
D	ECR 6545	2-20-88
E	ECR 6933	8-17-90
F	UPDATE MARKING	2/23/91
F1	UPDATE MODEL NO.	8/28/92
G	ECN 20115	10/9/04

UNLESS OTHERWISE NOTED DIMENSIONS ARE IN INCHES AND TOLERANCES ARE:	FORM NO.	34078	MIDWEST MICROWAVE
	3 PLACE DECIMALS ±.005 2 PLACE DECIMALS ±.02 FRACTIONS ±1/64	NOTICE: The information contained in this drawing is proprietary and must not be used without the permission of Midwest Microwave	
PARALLELITY: T.I.R. _____ FLATNESS: T.I.R. _____ CONCENTRICITY: T.I.R. _____ ANGLES AND PERPENDICULARITY: ±1°	DRAWN/DATE D. ESTY 8/17/90	ENG./DATE G. KOZAK 2/25/91	TITLE MINIATURE ATTENUATOR
	CHECKED/DATE A. BEATTY 2/23/91	APPROVED/DATE	DRAWING NUMBER ATT-0238-XX-SMA-02
			SCALE: 5=1 SHEET 1 of 1

WAS DWG. 02332-01-00