

Excellent Integrated System Limited

Stocking Distributor

Click to view price, real time Inventory, Delivery & Lifecycle Information:

[Cinch Connectivity Solutions](#)

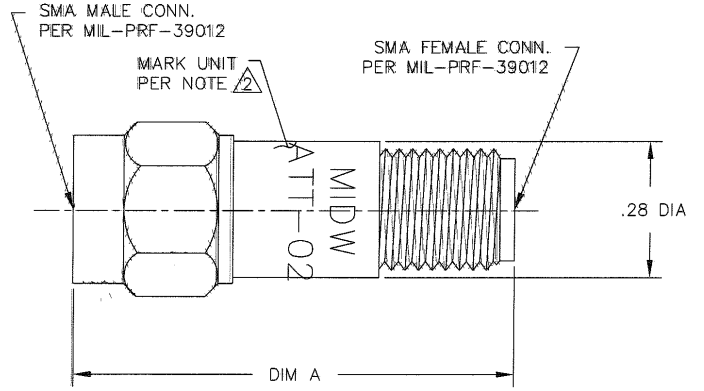
[ATT-0276-16-SMA-02](#)

For any questions, you can email us directly:

sales@integrated-circuit.com

NOTES:

- 1.0 SPECIFICATIONS:
 1.1 FREQUENCY RANGE: DC to 12.4GHz
 1.2 ATTENUATION VALUES: 1 THRU 30dB
 IN 1dB INCREMENTS
 1.3 ATTENUATION ACCURACY:
 1-6dB ±0.3dB
 7-20dB ±0.5dB
 21-30dB ±1.0dB
 1.4 MAXIMUM VSWR (GHz):
 1.07+.015f(GHz)
 1.5 MAXIMUM INPUT POWER: 2 WATTS AVG.
 AT +25°C DERATED LINEARLY TO 0.5
 WATTS AT +125°C
 1.6 OPERATING TEMP. RANGE: -65°C to +125°C
 MARKING:
 2.1 MARK UNIT AS SHOWN
 (REF.: INK-09012-27-XX)



ATTENUATION VALUE	DIM A
1 - 12dB	.750
13 - 30dB	.875

REV.	DESCRIPTION	DATE
I	RELEASED	8/3/91
A	EON 11574	2/19/92
B	EON 11737	4/14/92
C	EON 12138	11/4/92
CI	ADDED TITLEBLOCK	3/22/05
D	EON 21185	1/10/07

UNLESS OTHERWISE NOTED DIMENSIONS ARE IN INCHES AND TOLERANCES ARE:

- 3 PLACE DECIMALS ±.005
- 2 PLACE DECIMALS ±.02
- FRACTIONS ±1/64
- PARALLELITY: T.I.R. _____
- FLATNESS: T.I.R. _____
- CONCENTRICITY: T.I.R. _____
- ANGLES AND PERPENDICULARITY: ±1'

FSCM NO. 34078		MIDWEST MICROWAVE	
NOTICE: The information contained in this drawing is proprietary and must not be used without the permission of Midwest Microwave.		TITLE ATTENUATOR	
DRAWN/DATE C.RICKARD 7/31/91	ENG./DATE G.KOZAK 8/2/91	DRAWING NUMBER ATT-0276-XX-SMA-02	
CHECKED/DATE A.BEAITY 8/2/91	APPROVED/DATE	SCALE: 5=1	SHEET 1 of 1