

Excellent Integrated System Limited

Stocking Distributor

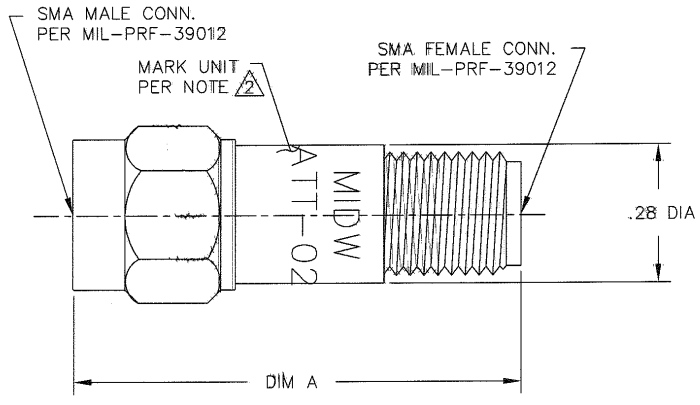
Click to view price, real time Inventory, Delivery & Lifecycle Information:

[Cinch Connectivity Solutions](#)
[ATT-0277-17-SMA-02](#)

For any questions, you can email us directly:
sales@integrated-circuit.com

NOTES:

- 1.0 SPECIFICATIONS:
- 1.1 FREQUENCY RANGE: DC to 8.0 GHz
- 1.2 ATTENUATION VALUES: 1 THRU 30dB
 IN 1dB INCREMENTS
- 1.3 ATTENUATION ACCURACY:
 1-10dB ±0.3 dB
 11-20dB ±0.5 dB
 21-30dB ±1.0 dB
- 1.4 MAXIMUM VSWR:
 1.07+.015f(GHz)
- 1.5 MAXIMUM INPUT POWER: 2 WATTS AVG.
 AT +25°C DERATED LINEARLY TO 0.5
 WATTS AT +125°C
- 1.6 OPERATING TEMP. RANGE: -65°C to +125°C
- △ MARKING:
 2.1 MARK UNIT AS SHOWN
 (REF.: INK-09015-27-XX)



ATTENUATION VALUE	DIM A
1 - 12dB	.750
13 - 30dB	.875

REV.	DESCRIPTION	DATE
	RELEASED	8/3/91
A	ECN 11574	2/18/92
b	ECN 11284	4/15/92
C	ECN 12188	11/4/92
C1	INK NO. 09016 TO 09015	1/2/94
C2	ADDED TITLEBLOCK	3/22/05
D	ECN 21185	1/10/07

UNLESS OTHERWISE NOTED DIMENSIONS ARE IN INCHES AND TOLERANCES ARE: 3 PLACE DECIMALS ±.005 2 PLACE DECIMALS ±.02 FRACTIONS ±1/64 PARALLELITY: T.I.R. FLATNESS: T.I.R. CONCENTRICITY: T.I.R. ANGLES AND PERPENDICULARITY: ±1°	FSCM NO. 34078	MIDWEST MICROWAVE
	NOTICE: The information contained in this drawing is proprietary and must not be used without the permission of Midwest Microwave	
TITLE ATTENUATOR		DRAWING NUMBER ATT-0277-XX-SMA-02
DRAWN/DATE C. RICKARD 7/31/91	ENG. DATE G. KOZAK 8/2/91	SCALE: 5=1 SHEET 1 of 1
CHECKED/DATE A. BEATTY 8/2/91	APPROVED/DATE	