

## Excellent Integrated System Limited

Stocking Distributor

Click to view price, real time Inventory, Delivery & Lifecycle Information:

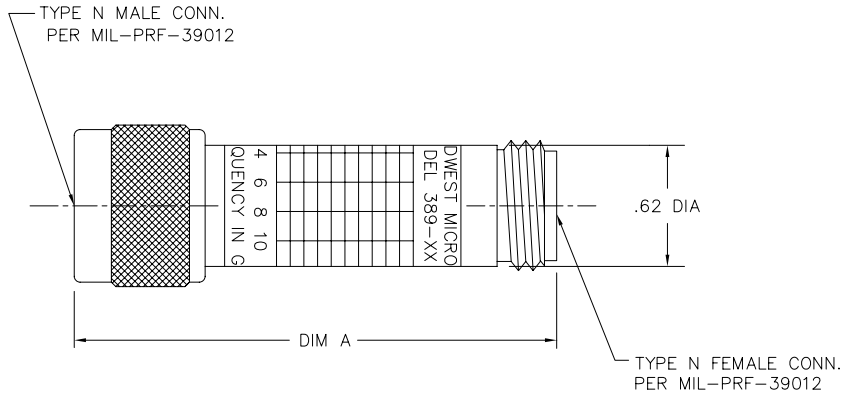
[Cinch Connectivity Solutions](#)  
[ATT-0389-03-NNN-02](#)

For any questions, you can email us directly:

[sales@integrated-circuit.com](mailto:sales@integrated-circuit.com)

NOTES:

- 1.0 SPECIFICATIONS:
- 1.1 FREQUENCY RANGE: DC to 18.0 GHz
  - 1.2 ATTENUATION ACCURACY:
    - 3 & 6dB: ±0.3dB
    - 10 & 20dB: ±0.5dB
    - 30 & 40dB: ±1.0dB
  - 1.3 IMPEDANCE: 50 OHMS
  - 1.4 MAXIMUM VSWR:
    - DC to 4.0 GHz: 1.12:1
    - 4.0 to 8.0 GHz: 1.15:1
    - 8.0 to 18.0 GHz: 1.20:1
  - 1.5 MAXIMUM INPUT POWER: 2 WATTS AVG.  
+40°C to DERATED LINEARLY TO 0.5 WATTS AT +125°C.
  - 1.6 MAXIMUM PEAK POWER:
    - 3, 6, 10 & 20dB: 200 WATTS
    - 30 & 40dB: 50 WATTS
  - 1.7 OPERATING TEMPERATURE RANGE: -55°C to +125°C
  - 1.8 CALIBRATION SUPPLIED AT: DC, 4, 8, 12 & 18 GHz
- 2.0 MARKING:
- 2.1 MARK UNIT AS SHOWN  
(REF.: LBL-02599-46-XX & LBL-02976-46-01)



30 & 40	2.76
3, 6, 10 & 20	2.47
dB VALUE	DIM A

DWG NO. WAS: 02355-01-00

REV.	DESCRIPTION	DATE
1	RELEASED	4/1/92
A	ECR 3220	11/13/84
B	ECR 5905	3/30/88
C	ECR 6545	6/28/88
D	ECR 6933	11/12/90
E	CHNG TO OLD MOD NO.	1/14/91
F	REDRAW ON CAD/UPDATE	3/30/92
FL	ADDED TITLERBLOCK	3/30/95

UNLESS OTHERWISE NOTED DIMENSIONS ARE IN INCHES AND TOLERANCES ARE: 3 PLACE DECIMALS ±.005 2 PLACE DECIMALS ±.02 FRACTIONS ±1/64 PARALLELITY: T.I.R. _____ FLATNESS: T.I.R. _____ CONCENTRICITY: T.I.R. _____ ANGLES AND PERPENDICULARITY: ±1°	FSCM NO. <b>34078</b>	<b>MIDWEST MICROWAVE</b>
	NOTICE: The information contained in this drawing is proprietary and must not be used without the permission of Midwest Microwave	
TITLE ATTENUATOR		DRAWING NUMBER ATT-0389-XX-NNN-02
DRAWN/DATE A.ABEATTY 3/30/92		ENG/DATE C.KOZAK 4/1/92
CHECKED/DATE		APPROVED/DATE
SCALE: 2=1		SHEET 1 of 1