

## Excellent Integrated System Limited

Stocking Distributor

Click to view price, real time Inventory, Delivery & Lifecycle Information:

[Cinch Connectivity Solutions](#)  
[ATT-0444-08-HEX-02](#)

For any questions, you can email us directly:

[sales@integrated-circuit.com](mailto:sales@integrated-circuit.com)

NOTES:

1.0 SPECIFICATIONS:

- 1.1 FREQ. RANGE: DC to 18.0 GHz
- 1.2 ATTENUATION VALUES: 0.5 to 30, 40, 50 & 60dB
- 1.3 ATTENUATION ACCURACY:

DC TO 12.4 GHz		12.4 TO 18.0 GHz	
0.5dB	±0.4dB	0.5dB	±0.4dB
1-4 dB	±0.75dB	1-4 dB	±0.75dB
5-8 dB	±0.75dB	5-8 dB	±1.00 dB
9-12dB	±1.00 dB	9-12dB	±1.25 dB
13-20dB	±1.50 dB	13-20dB	±1.50 dB
21-60dB	±2.00dB	21-30dB	±2.00dB

1.4 VSWR (MAX.):

DC to 4.0 GHz:	1.25:1
4.0 to 12.4 GHz:	1.45:1
12.4 to 18.0 GHz:	1.65:1

1.5 INPUT POWER (MAX.): 2 WATTS AVG.  
AT +25°C DERATED LINEARLY TO  
0.5 WATTS AT +125°C

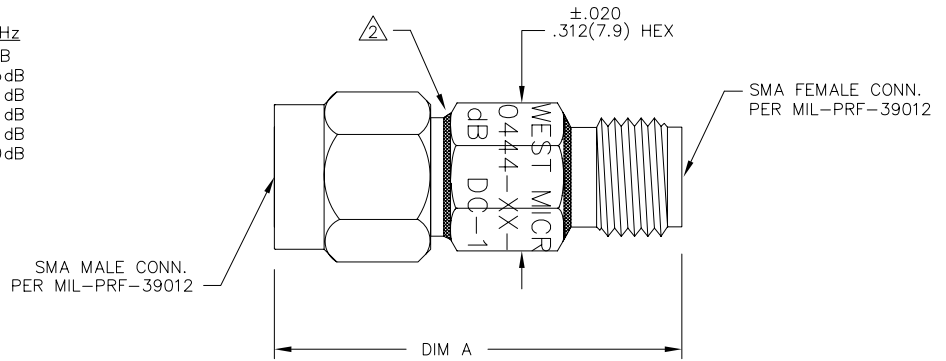
1.6 OPERATING TEMP. RANGE: -65°C TO +125°C

- △ EPOXY UNIT PER EPX-08000-44-01  
0.5 to 30dB GET EPOXIED ON FEMALE END ONLY  
31 to 60dB GET EPOXIED ON BOTH ENDS.

3.0 MARKING

- 3.1 MARK UNIT AS SHOWN:  
(REF.: INK-06205-27-XX)

4.0 DIMENSIONS IN PARENTHESIS ARE MILLIMETERS.



ATTENUATION VALUE	DIM A
1 thru 12dB	.86(21.8)
13 thru 30dB	1.02(25.9)
31 thru 60dB	1.25(31.8)

REV.	DESCRIPTION	DATE
I	RELEASED	6/20/83
A	ECR 4636	7/17/86
B	ECR 6608	7/26/87
C	ECR 6933	11/27/90
CI	UPDATE MODEL NO.	2/4/91
D	ON CAD/UPDATE MARKING	3/1/93
E	ECN 14371	3/25/95
F	ECN 18216	9/16/97
F1	ADDED TITELBLOCK	4/4/05

DRAWING NUMBER WAS:  
04721-01-00 &  
ATT-0444-XX-H00-02

UNLESS OTHERWISE NOTED DIMENSIONS ARE IN INCHES AND TOLERANCES ARE: 3 PLACE DECIMALS ±.005 2 PLACE DECIMALS ±.02 FRACTIONS ±1/64 PARALLELITY: T.I.R. _____ FLATNESS: T.I.R. _____ CONCENTRICITY: T.I.R. _____ ANGLES AND PERPENDICULARITY: ±1°	FSM NO. <b>34078</b>	<b>MIDWEST MICROWAVE</b>
	NOTICE: The information contained in this drawing is proprietary and must not be used without the permission of Midwest Microwave	
TITLE ATTENUATOR		DRAWING NUMBER ATT-0444-XX-HEX-02
DRAWN/DATE A.BEATTY 3/1/93		ENG./DATE G.KOZAK 3/2/93
CHECKED/DATE M.HOLLMAN 3/1/93		APPROVED/DATE
SCALE: 5=1		SHEET 1 of 1