

Excellent Integrated System Limited

Stocking Distributor

Click to view price, real time Inventory, Delivery & Lifecycle Information:

[Cinch Connectivity Solutions](#)

[CPL-5045-10-NNN-79](#)

For any questions, you can email us directly:

sales@integrated-circuit.com

NOTES:

- 1.0 ELECTRICAL SPECIFICATIONS:
 - 1.1 FREQUENCY RANGE: 1.0 to 2.0 GHz
 - 1.2 COUPLING: 10±1.0dB
 - 1.3 FREQUENCY SENSITIVITY: ±0.75dB
 - 1.4 INSERTION LOSS: 0.20dB MAX.
 - 1.5 DIRECTIVITY: 25dB MIN.
 - 1.6 VSWR: 1.15:1 MAX.
 - 1.7 INPUT POWER:
 - AVG INPUT: 10dB: 200 WATTS
 - AVG. REVERSE: 10dB: 50 WATTS
 - AVG. PEAK: 10 KILOWATTS

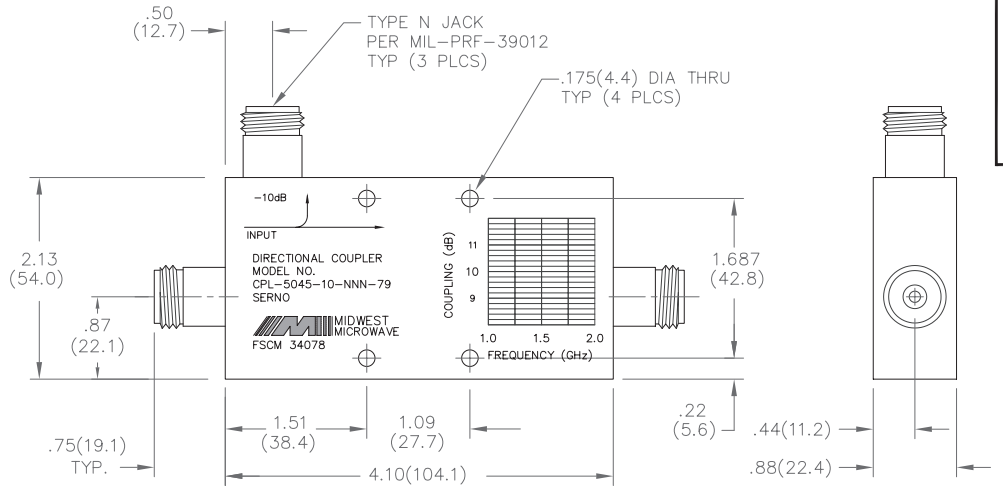
2.0 WEIGHT: 0.45 Kg. (1.0 lbs)

3.0 FINISHING:

3.1 GREY OVER MIL-E-15090 TYPE II, CLASS 2
OVER MIL-C-5541 CLASS 3A
MEETS MIL-F-14072
MEETS MIL-E-5400

3.2 MARK UNIT AS SHOWN

4.0 DIMENSIONS IN PARENTHESIS
ARE IN MILLIMETERS.



REV.	DESCRIPTION	DATE
-	RELEASED	10/17/94
A	ECO 22653	9/18/10

NOTICE: The information contained in this drawing is proprietary and must not be used without the permission of Cinch Connectivity Solutions.

UNLESS OTHERWISE NOTED DIMENSIONS ARE IN INCHES AND TOLERANCES ARE:
3 PLACE DECIMALS ±.005
2 PLACE DECIMALS ±.02
FRACTIONS ± 1/64
PARALLELITY: T.J.R.
FLATNESS: T.J.R.
CONCENTRICITY: T.J.R.
ANGLES AND PERPENDICULARITY: ±1'

CAGE CODE 34078		MIDWEST MICROWAVE	
		TITLE DIRECTIONAL COUPLER OUTLINE DRAWING	
		DRAWING NUMBER CPL-5045-10-NNN-79-01	REV. A
DESIGNED/DATE A. BEATTY 10/29/93 CHECKED/DATE	ENG./DATE J. O'NEIL 10/14/94 APPROVED/DATE	SCALE: 1=1	SHEET 1 of 1