

## Excellent Integrated System Limited

Stocking Distributor

Click to view price, real time Inventory, Delivery & Lifecycle Information:

[Cinch Connectivity Solutions](#)

[CPL-5046-20-NNN-79](#)

For any questions, you can email us directly:

[sales@integrated-circuit.com](mailto:sales@integrated-circuit.com)

NOTES:

1.0 ELECTRICAL SPECIFICATIONS:

- 1.1 FREQUENCY RANGE: 2.0 to 4.0 GHz
- 1.2 COUPLING: 20 ±1.0dB
- 1.3 FREQUENCY SENSITIVITY: ±0.75dB
- 1.4 INSERTION LOSS: 0.20dB MAX.
- 1.5 DIRECTIVITY: 25dB MIN
- 1.6 VSWR: 1.15:1 MAX.
- 1.7 INPUT POWER:

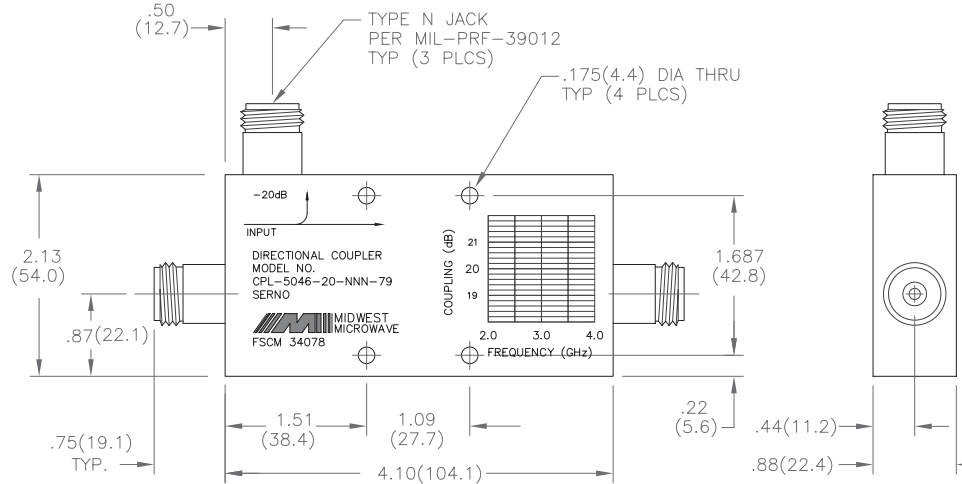
AVG INPUT: 10dB: 200 WATTS  
20 & 30dB: 500 WATTS  
AVG. REVERSE: 10dB: 50 WATTS  
20 & 30dB: 500 WATTS  
AVG. PEAK: 10 KILOWATTS

2.0 WEIGHT: 0.45 Kg. (1.0 lbs)

3.0 FINISHING:

- 3.1 GREY PER MIL-E-15090 TYPE II, CLASS 2  
OVER MIL-C-5541 CLASS 3A  
MEETS MIL-F-14072  
MEETS MIL-E-5400
- 3.2 MARK UNIT AS SHOWN  
(REF.: SLK-09144-82-05)  
USING BLUE INK.

4.0 DIMENSIONS IN PARENTHESIS  
ARE IN MILLIMETERS.



REV.	DESCRIPTION	DATE
1	RELEASED	2/20/94
D	ECO 22792	11/8/10

**NOTICE: The information contained in this drawing is proprietary and must not be used without the permission of Cinch Connectivity Solutions.**  
UNLESS OTHERWISE NOTED DIMENSIONS ARE IN INCHES AND TOLERANCES ARE:  
3 PLACE DECIMALS ±.005  
2 PLACE DECIMALS ±.02  
FRACTIONS ± 1/64  
PARALLELITY: T.I.R.  
FLATNESS: T.I.R.  
CONCENTRICITY: T.I.R.  
ANGLES AND PERPENDICULARITY: ±1'

GAGE CODE <b>34078</b>		<b>MIDWEST MICROWAVE</b>	
		TITLE DIRECTIONAL COUPLER OUTLINE DRAWING	
		DRAWING NUMBER CPL-5046-20-NNN-79-01	REV. D
DRWN/DATE A.BEATTY 10/29/93	ENG./DATE P.GOODMAN 2/18/94	SCALE: 1=1	SHEET 1 of 1
CHECKED/DATE M.HOLLMAN 1/18/94	APPROVED/DATE		