

Excellent Integrated System Limited

Stocking Distributor

Click to view price, real time Inventory, Delivery & Lifecycle Information:

[Cinch Connectivity Solutions](#)

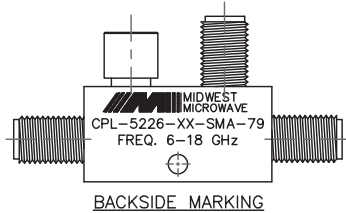
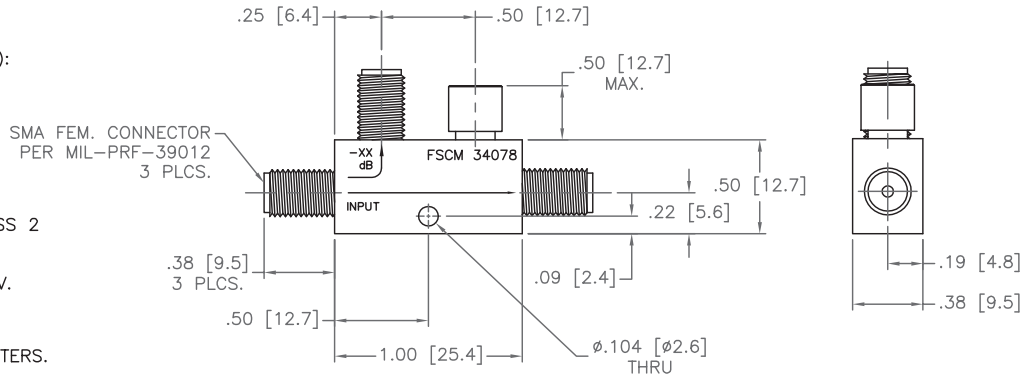
[CPL-5226-20-SMA-79](#)

For any questions, you can email us directly:

sales@integrated-circuit.com

NOTES:

- 1.0 ELECTRICAL SPECIFICATIONS:
 - 1.1 FREQUENCY RANGE; 6.0 TO 18 GHz
 - 1.2 FREQ. SENSITIVITY: ± 0.50 dB
 - 1.3 COUPLING: SEE TABLE
 - 1.4 VSWR: 1.40:1 MAX
 - 1.5 INSERTION LOSS (EXC. COUPLED POWER): 0.60dB
 - 1.6 DIRECTIVITY: 15dB MIN.
 - 1.7 POWER:
 - AVG.: 50 WATTS
 - PEAK: 3 KILOWATT
 - 1.8 RF IMPEDANCE : 50 OHMS
- 2.0 FINISHING:
 - 2.1 GRAY OVER MIL-E-15090 TYPE II, CLASS 2
OVER MIL-F-5541 CLASS 3A
MEETS MIL-E-14072
MEETS MIL-E-5400 AND MIL-E-16400V.
 - 2.2 MARK UNIT AS SHOWN.
REF.: SLK-09341-82-[24 THRU 27]
- 3.0 DIMENSIONS IN BRACKETS ARE IN MILLIMETERS.
- 4.0 WEIGHT: 0.60 Oz. (17.0 GRAMS).




CPL- 5226-20 -SMA-79	20dB
CPL- 5226-16 -SMA-79	16dB
CPL- 5226-10 -SMA-79	10dB
CPL- 5226-06 -SMA-79	6dB
CPL- 5226-XX-SMA-79	-XX ± 1.0 dB COUPLING

REV.	DESCRIPTION	DATE
-	RELEASED	4/21/92
A	ECN 21413	6/21/07

NOTICE: The information contained in this drawing is proprietary and must not be used without the permission of Cinch Connectivity Solutions.

UNLESS OTHERWISE NOTED DIMENSIONS ARE IN INCHES AND TOLERANCES ARE:
 3 PLACE DECIMALS $\pm .005$
 2 PLACE DECIMALS $\pm .02$
 FRACTIONS $\pm 1/64$
 PARALLELITY: T.J.R.
 FLATNESS: T.J.R.
 CONCENTRICITY: T.J.R.
 ANGLES AND PERPENDICULARITY: $\pm 1'$

CAGE CODE 34078		MIDWEST MICROWAVE	
		TITLE DIRECTIONAL COUPLER OUTLINE DRAWING	
		DRAWING NUMBER CPL-5226-XX-SMA-79	
DRWN/DATE A. BEATTY 4/7/92	ENGR/DATE P. GOODMAN 4/17/92	SCALE: 2:1	REV. A
CHECKED/DATE A. OSGA 4/7/92	APPROVED/DATE K. ATOTIE 6/21/07	SHEET 1 of 1	